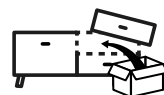
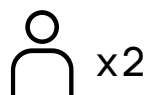
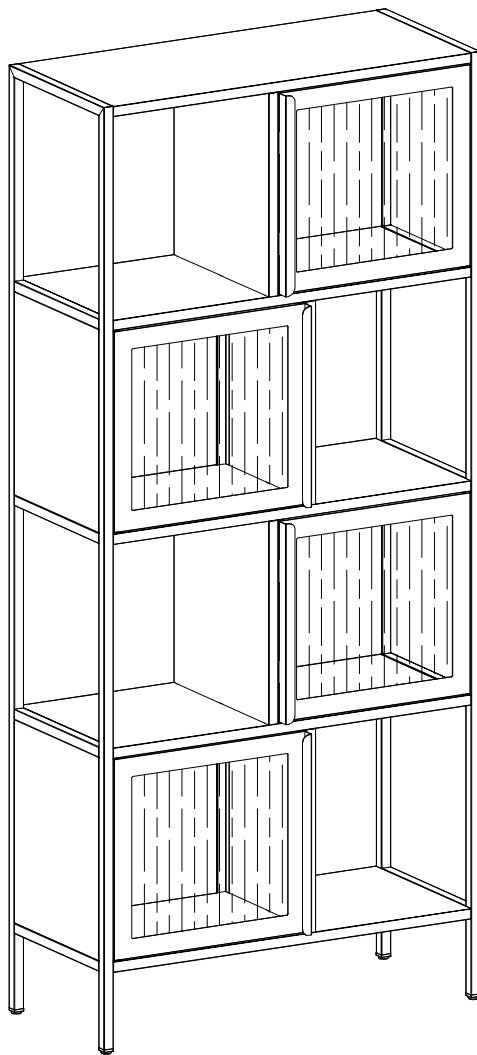
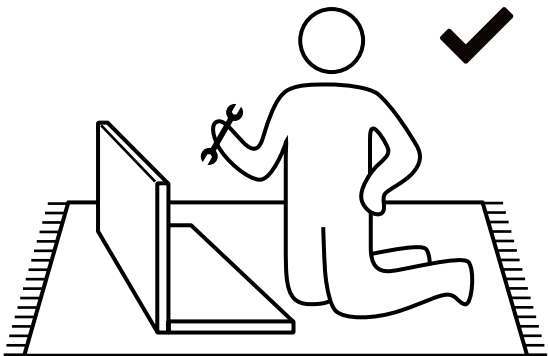
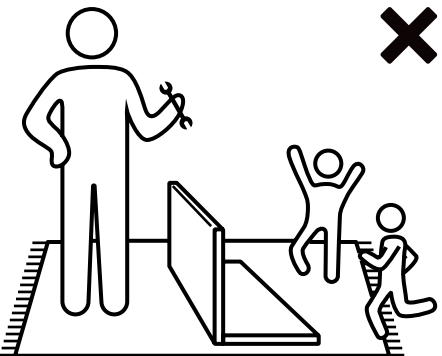
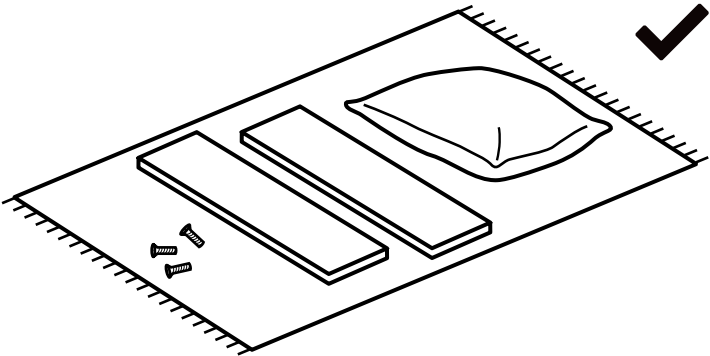
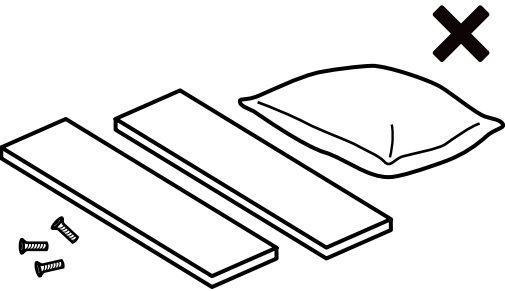
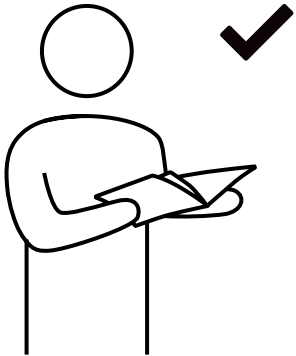
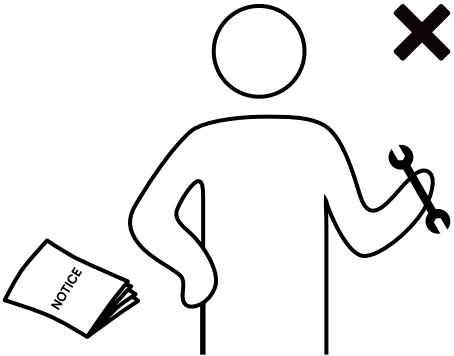


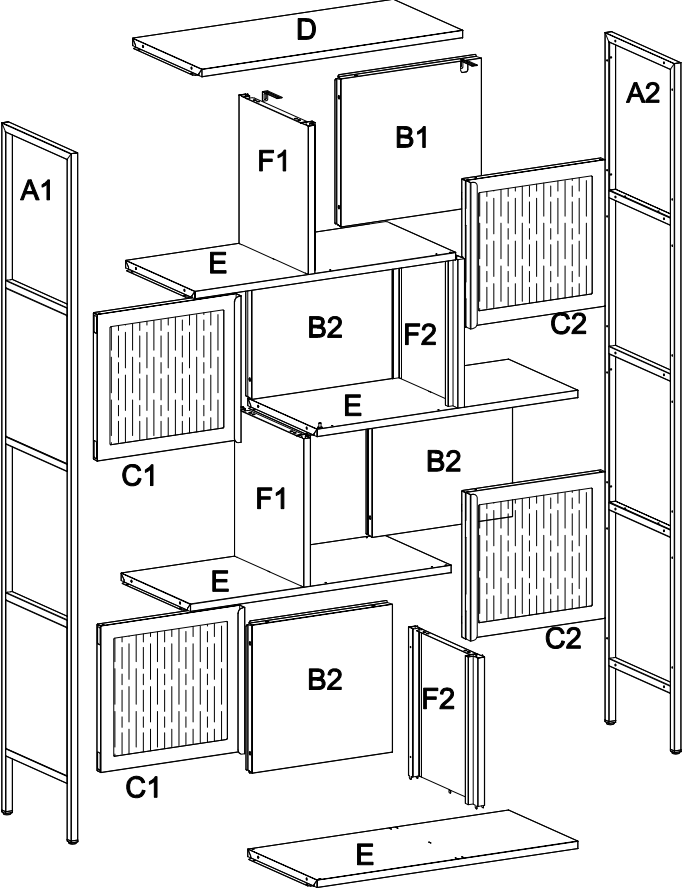
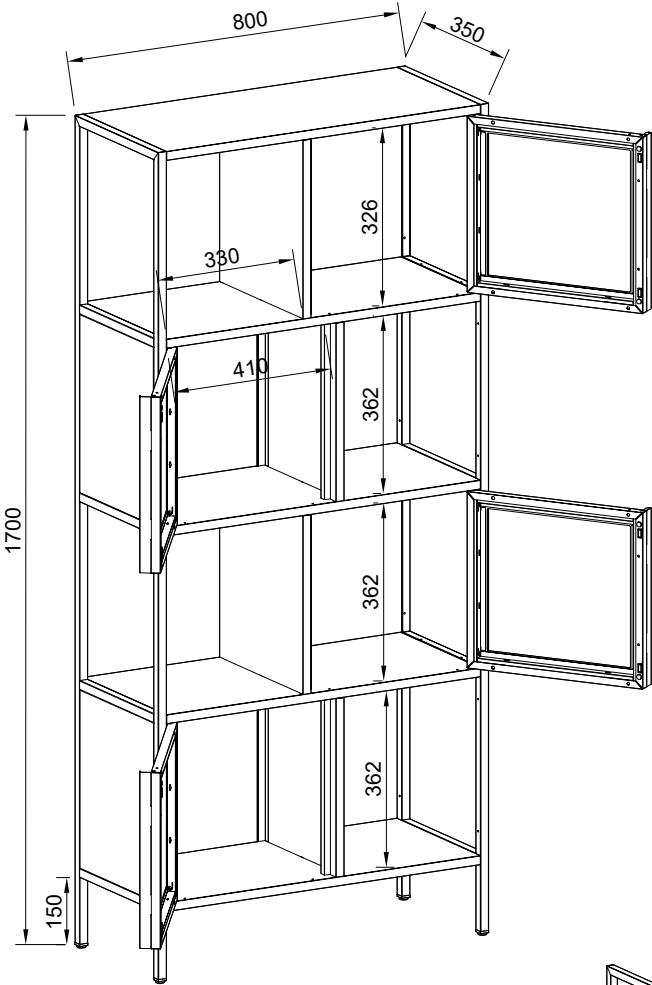
# Sicaan.



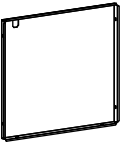
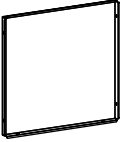
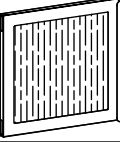
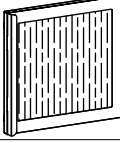
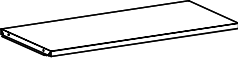
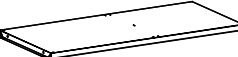

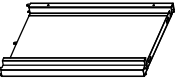

---



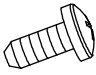
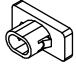
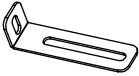

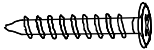
## KIARA









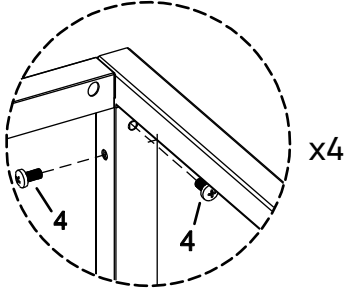
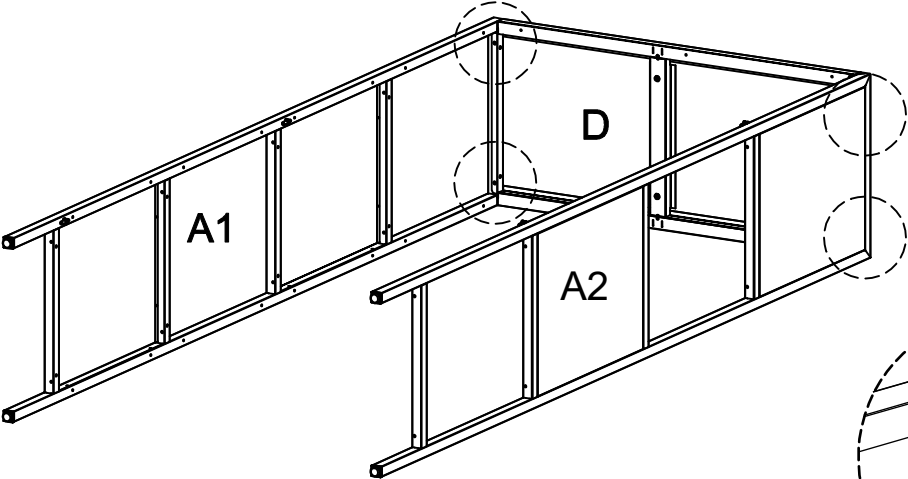
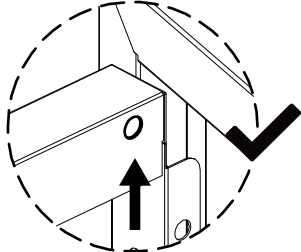
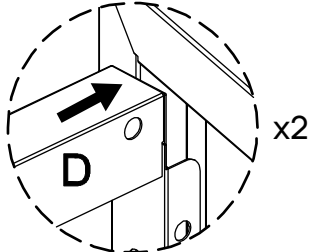
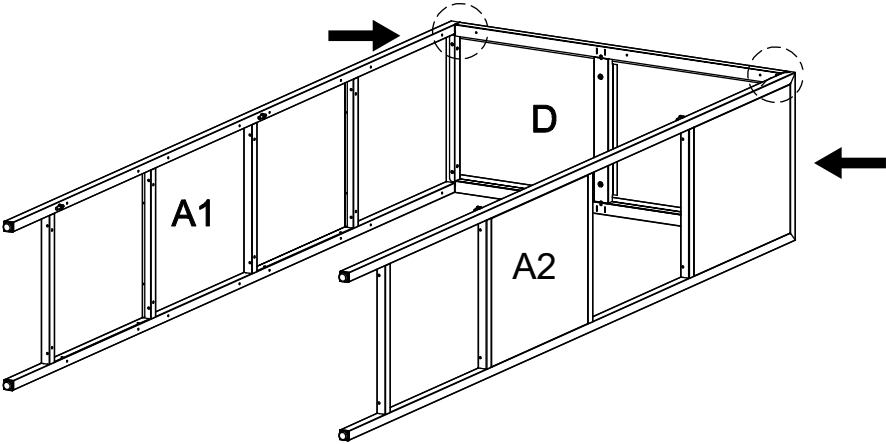


	REF	PCS	QTY	DIM
	A1	PCS-004990	x1	170 x 35 x 2 cm
	A2	PCS-004992	x1	170 x 35 x 2 cm
	B1	PCS-004993	x1	41 x 36.2 x 2 cm
	B2	PCS-004994	x3	41 x 36.2 x 2 cm
	C1	PCS-004995	x2	40.7 x 35.8 x 2 cm
	C2	PCS-004996	x2	40.7 x 35.8 x 2 cm
	D	PCS-004997	x1	76 x 35 x 2 cm
	E	PCS-004998	x4	76 x 35 x 2 cm
	F1	PCS-004999	x2	36.2 x 35 x 2 cm
	F2	PCS-004991	x2	36.2 x 35 x 2 cm
	1	PCS-005000	x41	Ø5 x 12 mm



	REF	PCS	QTY	DIM
	2	PCS-005011	x 4	Ø 6 x 30 mm
	3	PCS-005017	x 4	Ø 12 x 0.8 mm
	4	PCS-005014	x 40	Ø 5 x 10 mm
	5	PCS-005023	x 8	9 x 19 mm
	6	PCS-005016	x 2	Ø 15 x 76 mm
	7	PCS-005001	x 2	Ø 8 x 38 mm
	8	PCS-005002	x 2	Ø 4 x 38 mm

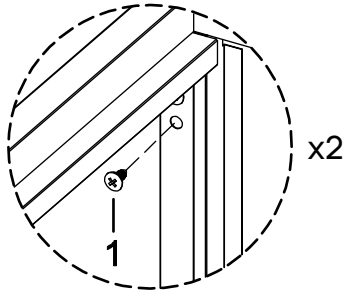
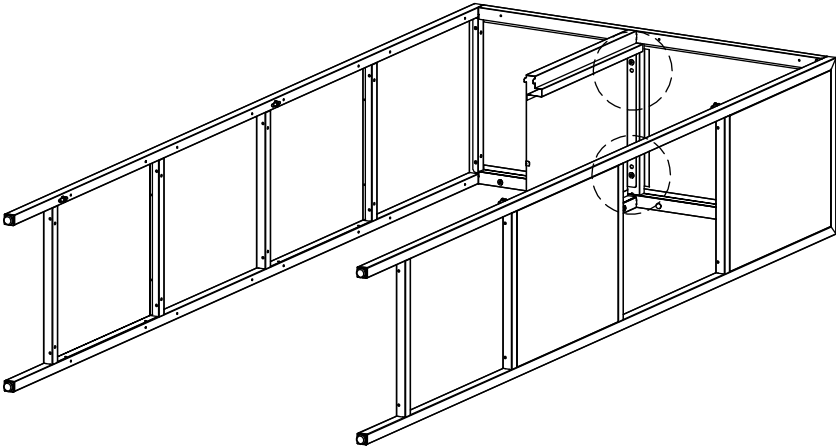
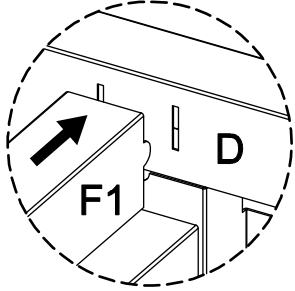
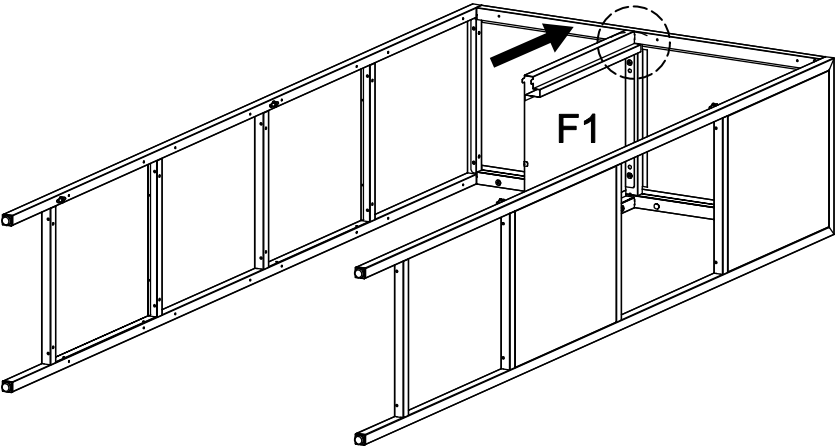
1.

			
4	A1	A2	D


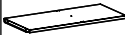


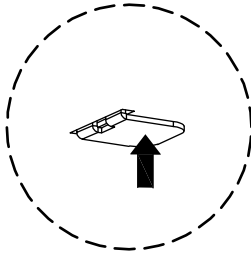
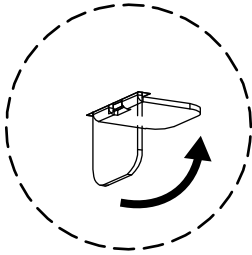
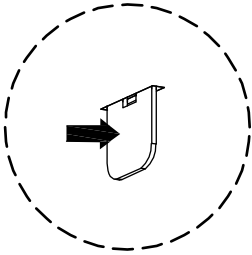
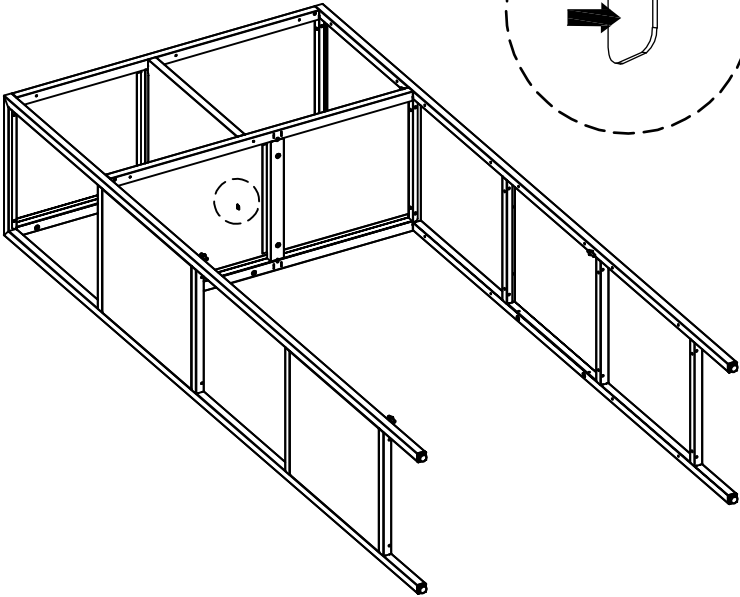
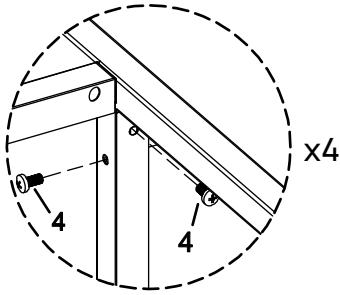
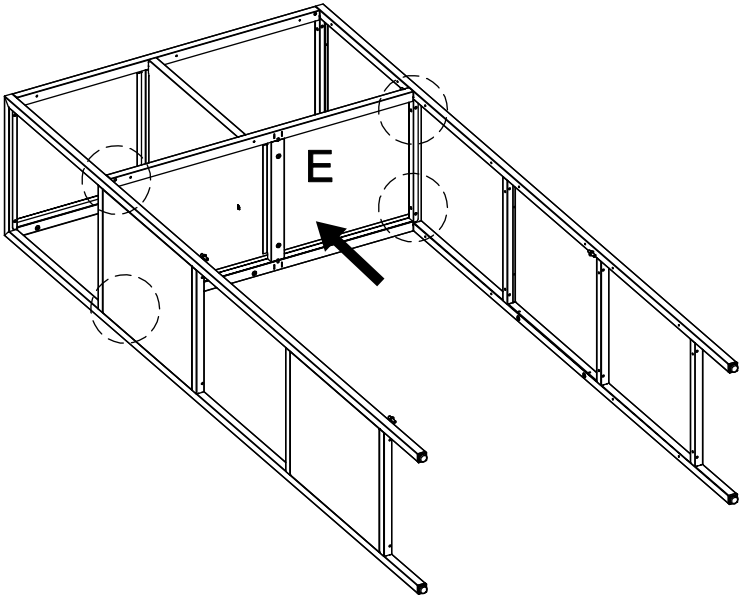
2.

	
1	F1





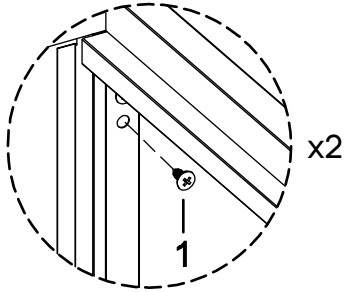
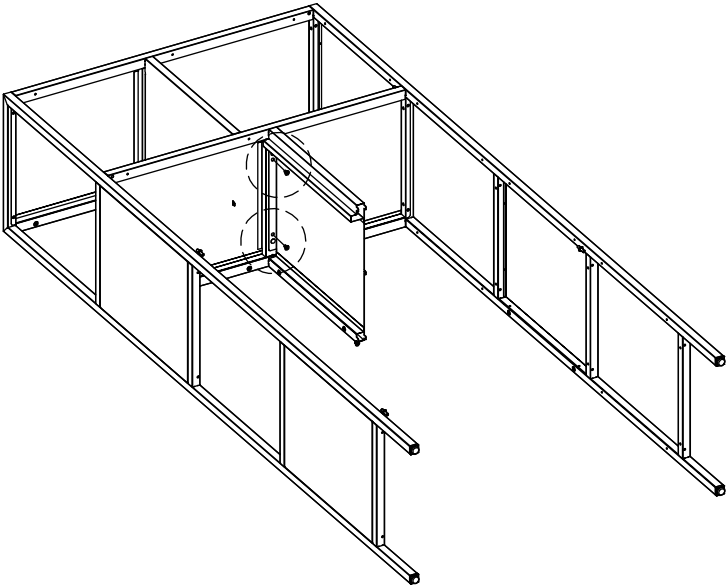
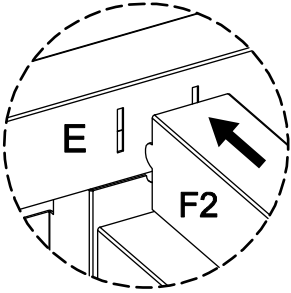
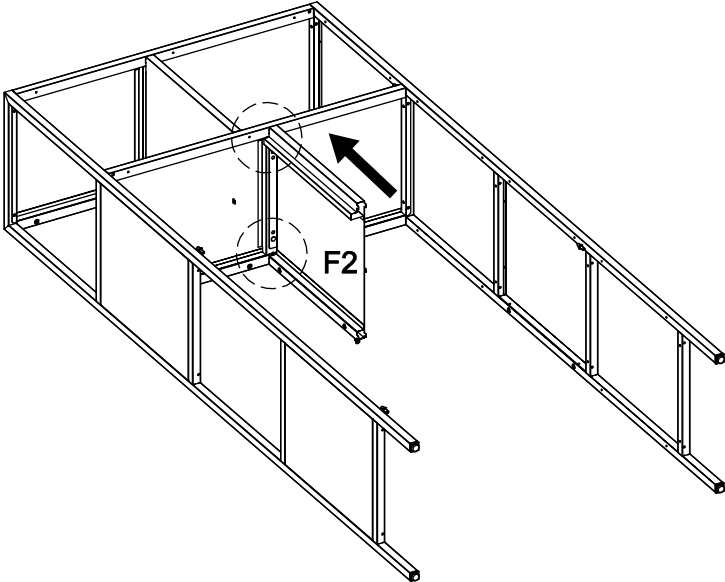
3.

	
4	E


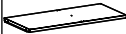


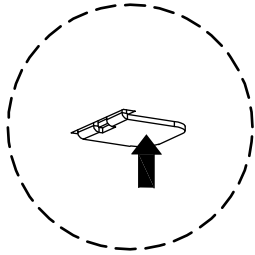
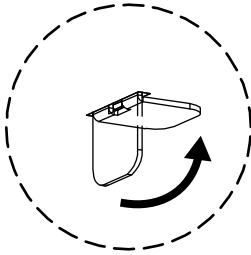
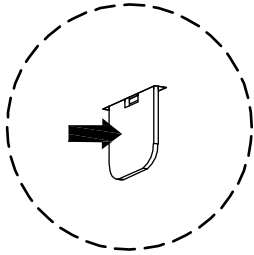
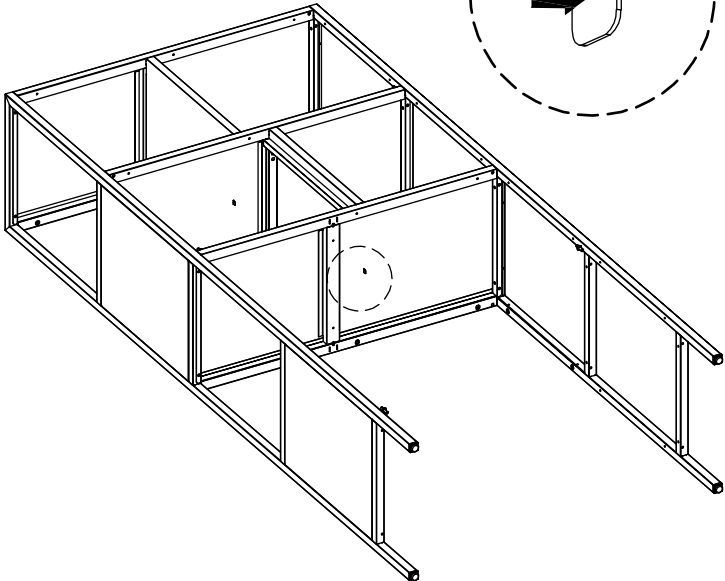
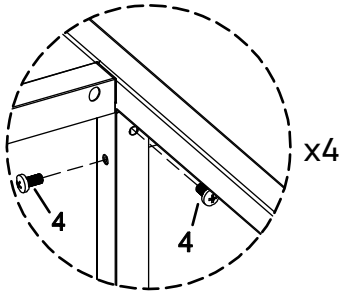
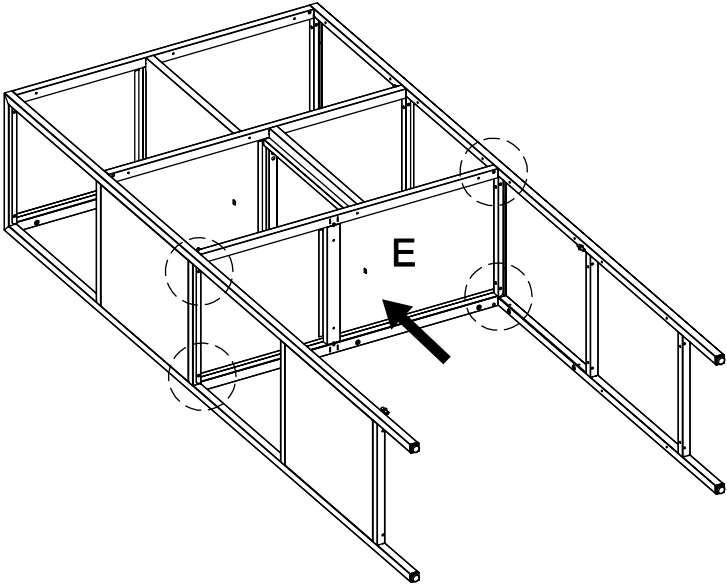
4.

	
1	F2





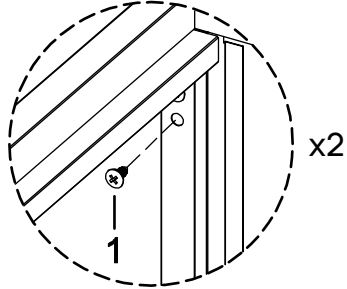
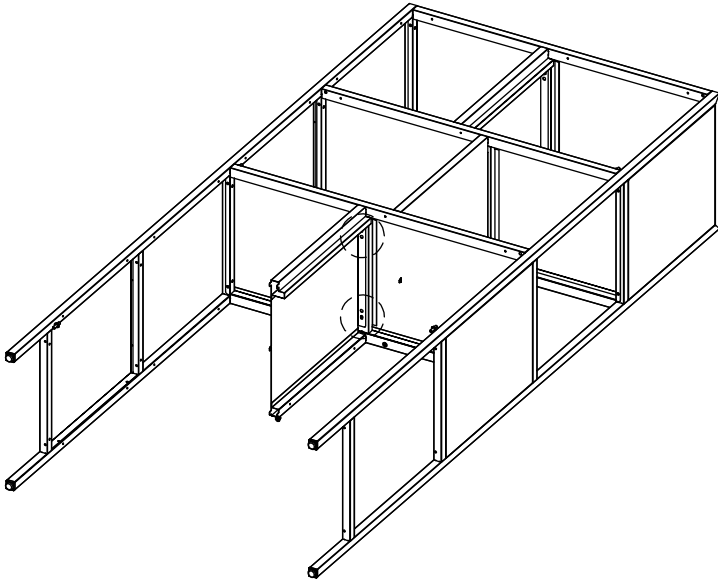
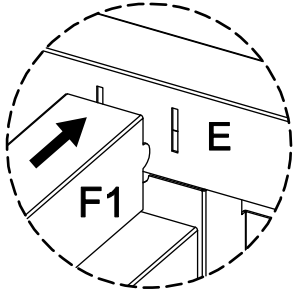
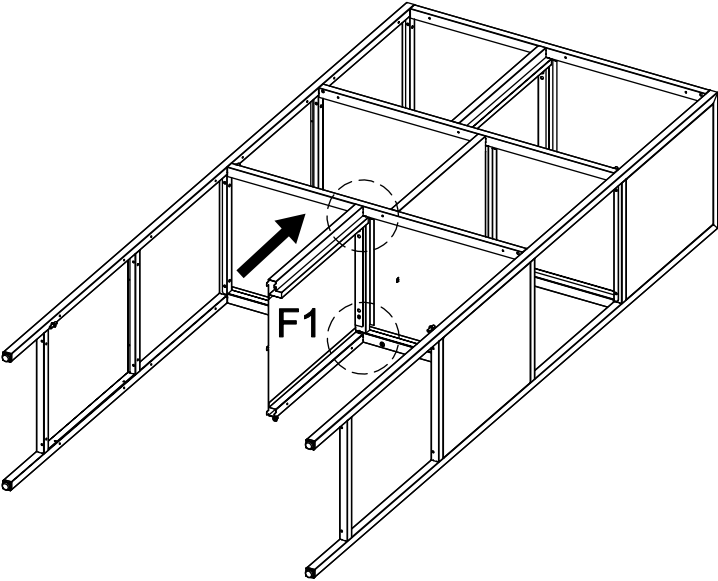
# 5.

	
4	E


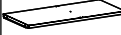


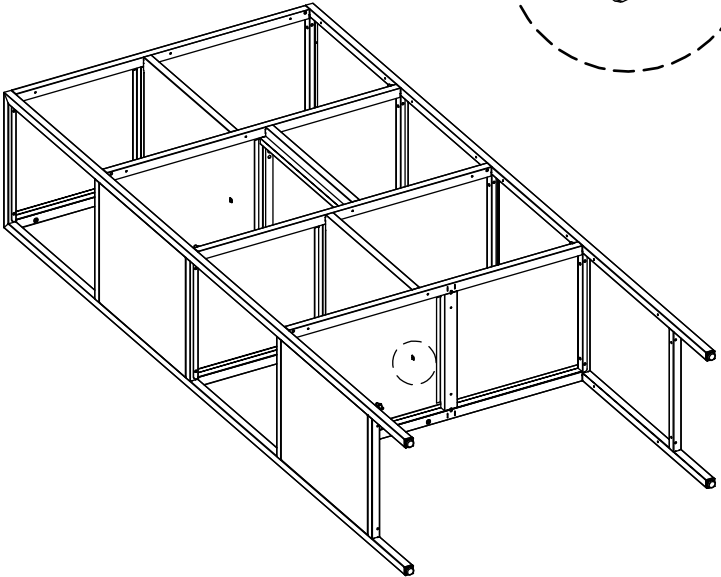
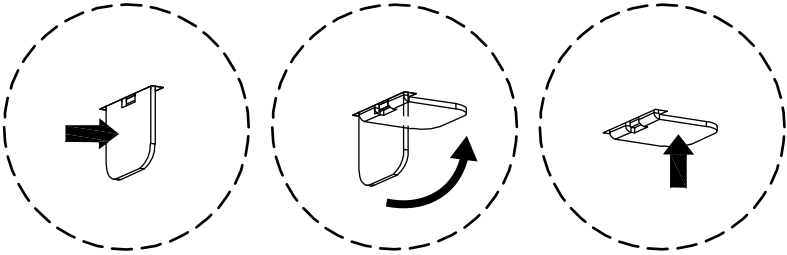
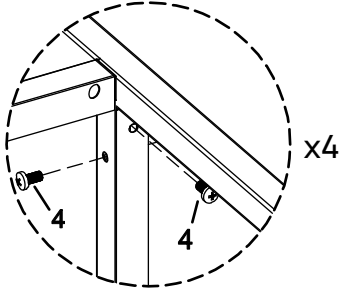
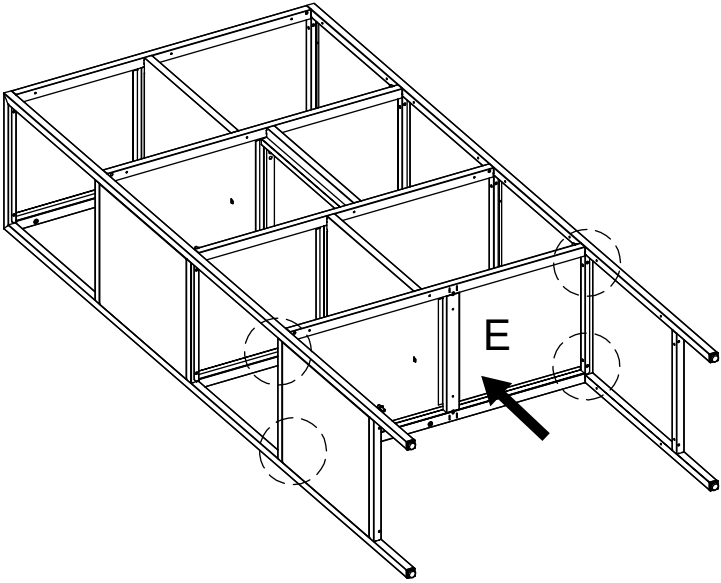
# 6.

	
1	F1





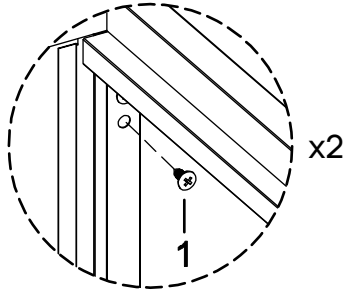
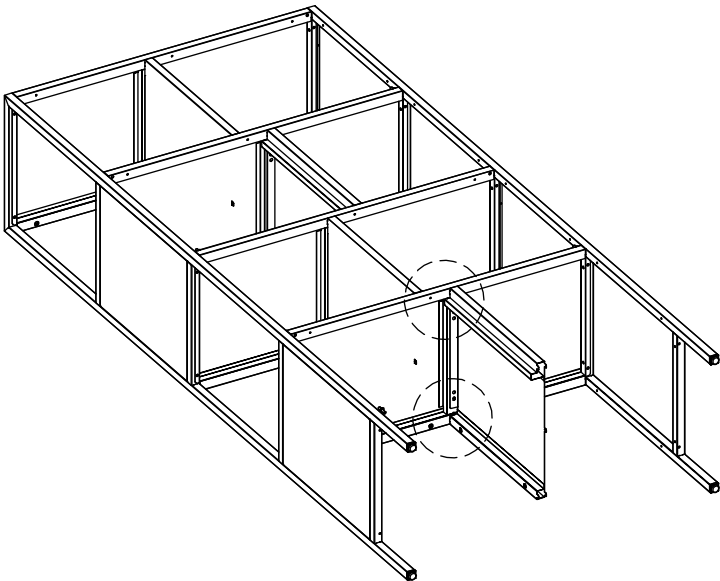
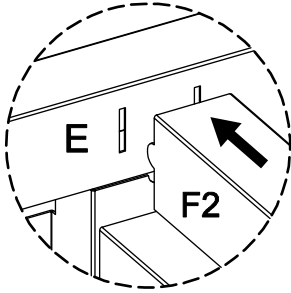
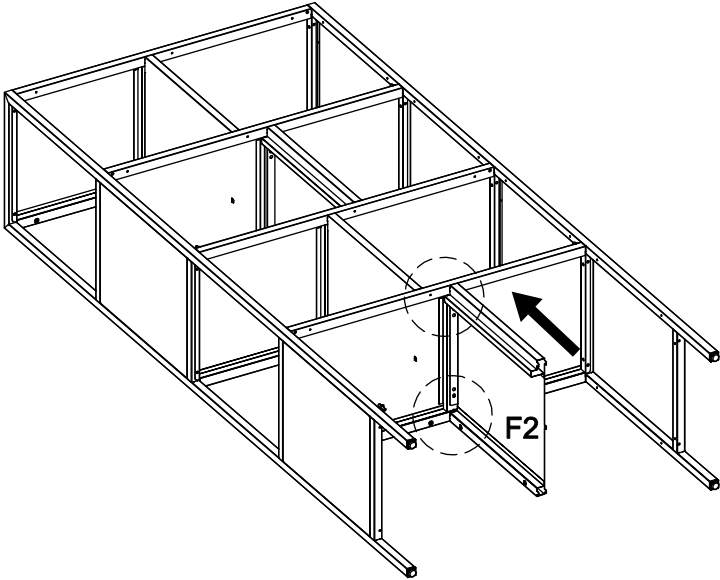
7.

	
4	E


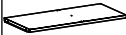


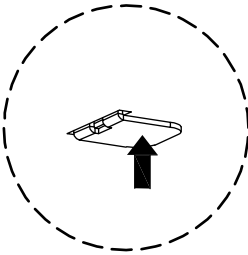
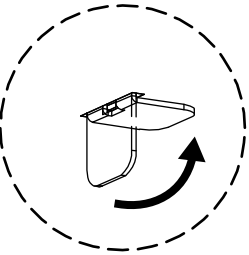
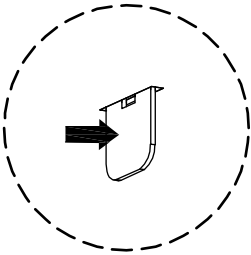
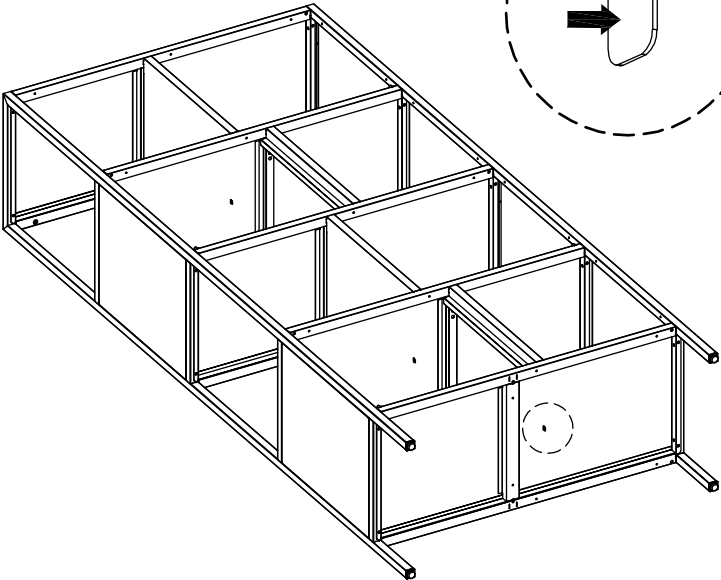
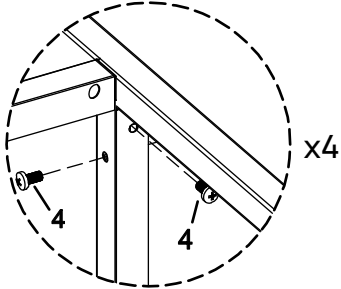
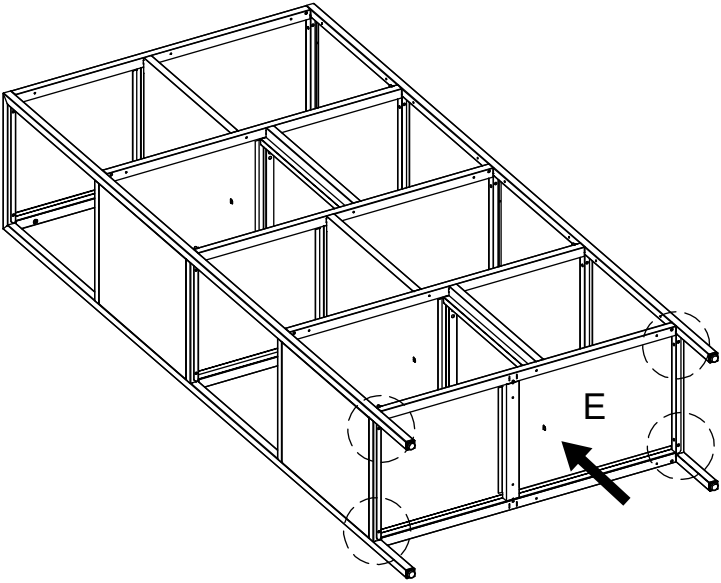
8.

	
1	F2


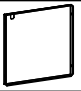
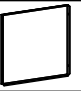


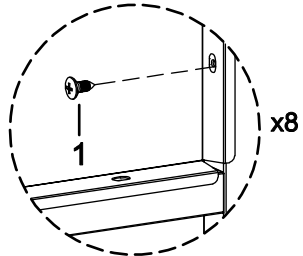
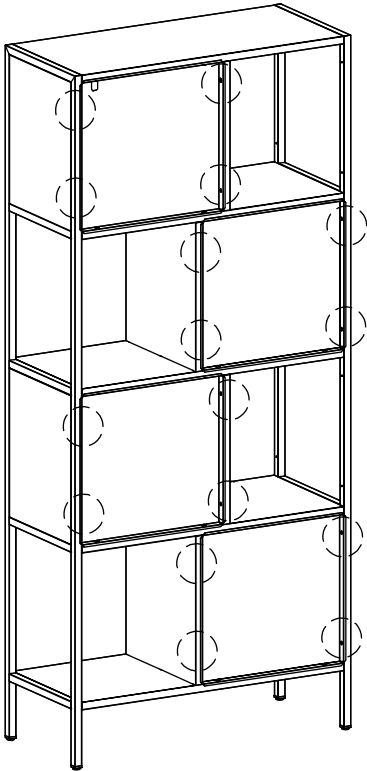
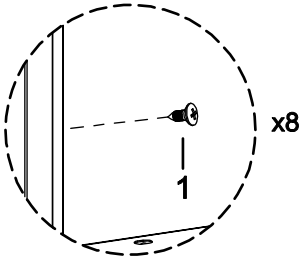
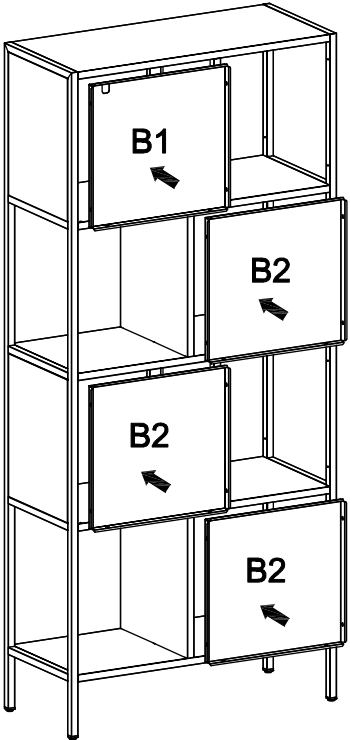
9.

	
4	E





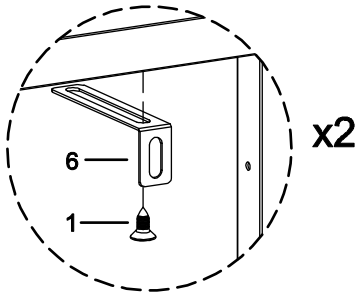
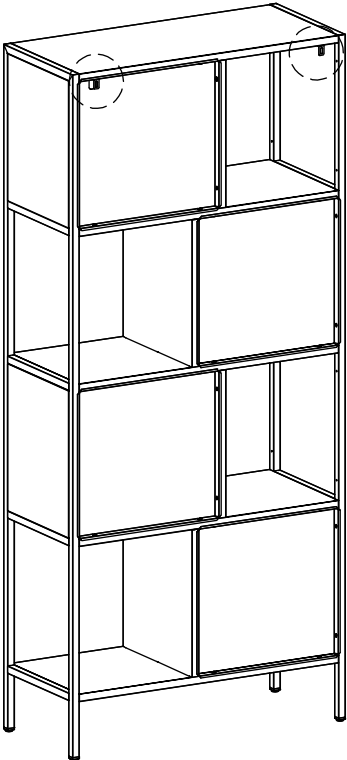
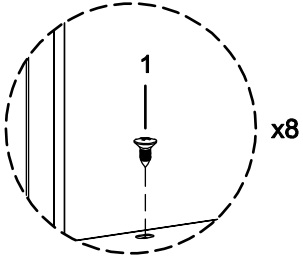
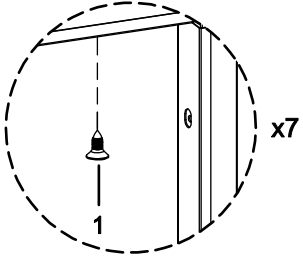
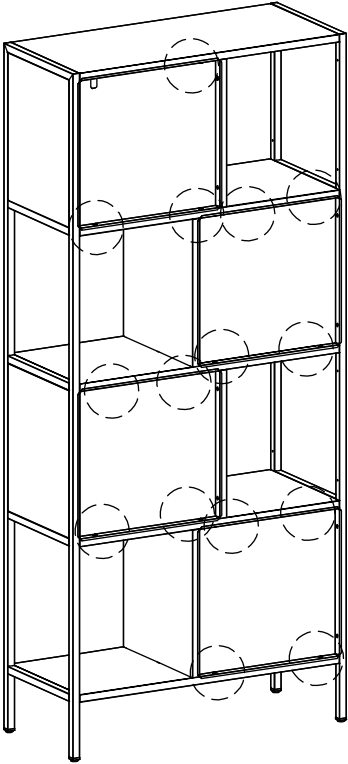
# 10.

		
1	B1	B2

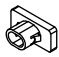

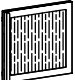


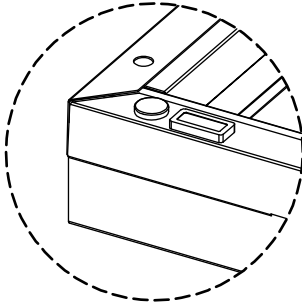
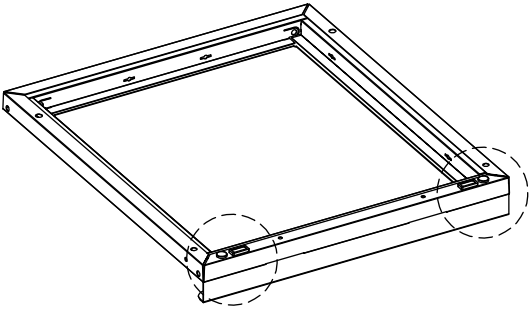
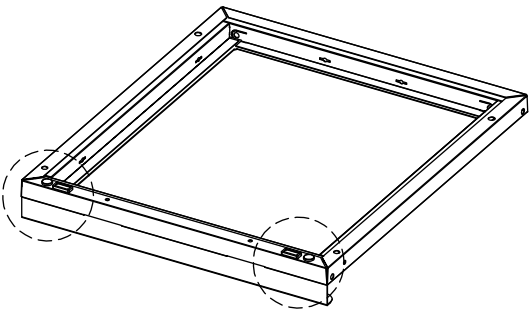
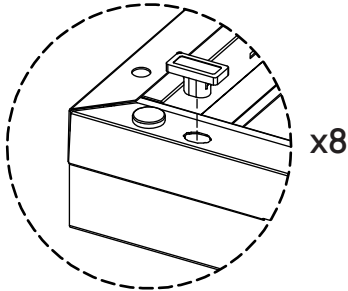
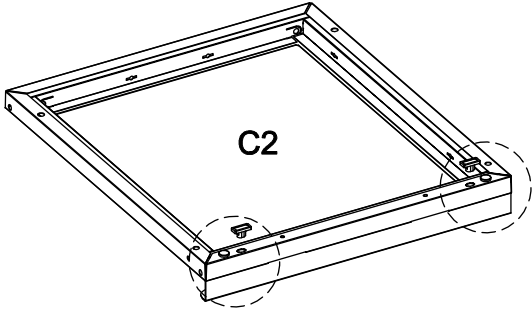
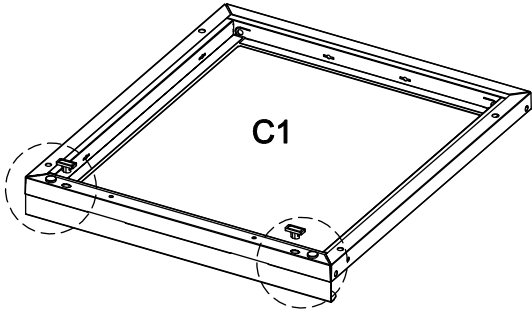
# 11.

	
1	6

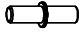

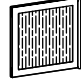



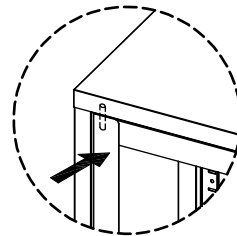
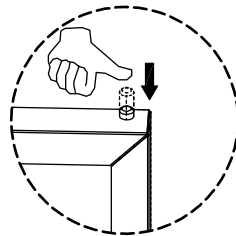
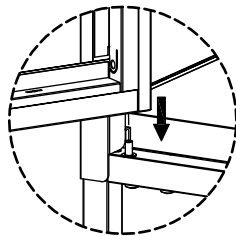
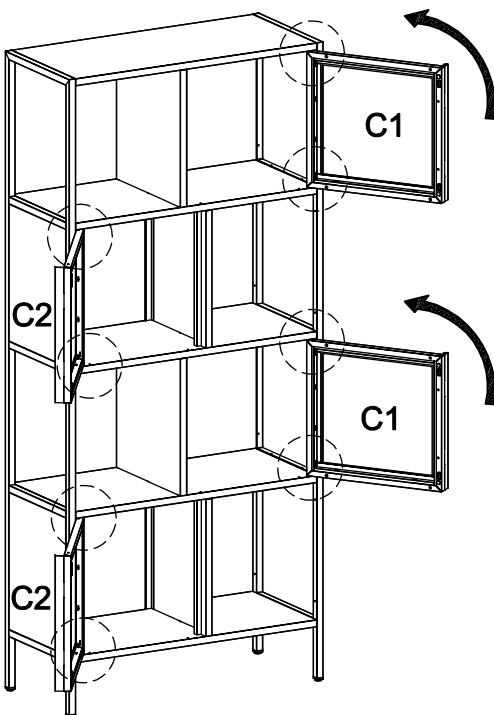
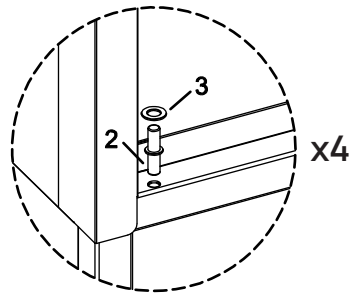
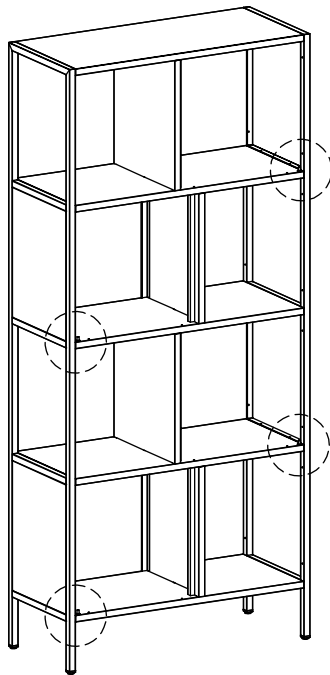
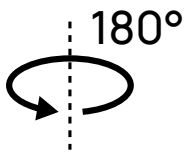
# 12.

		
5	C1	C2

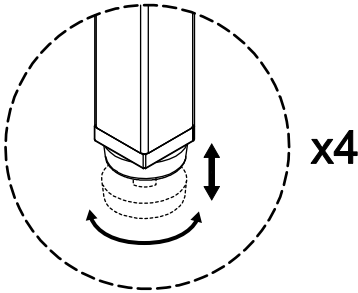
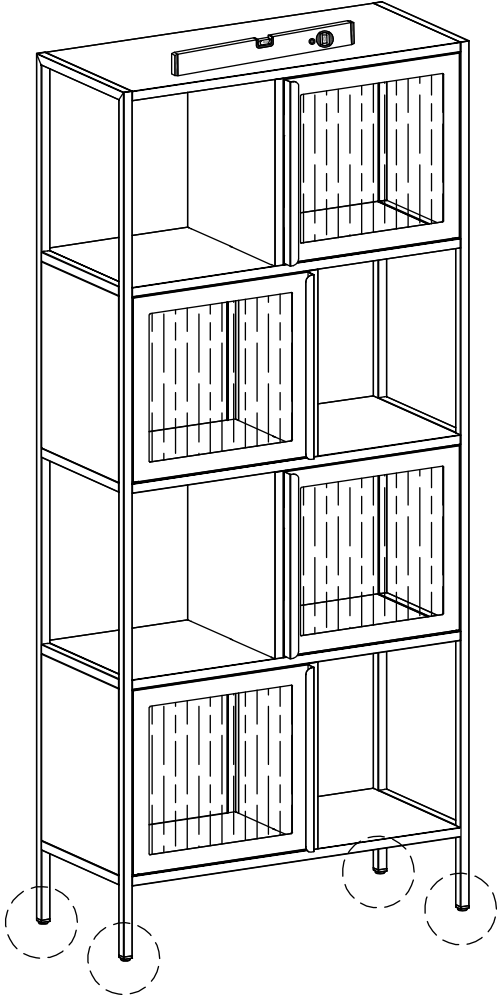


13.



			
2	3	C1	C2

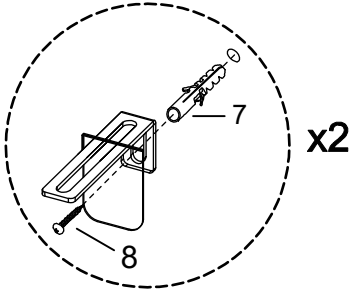
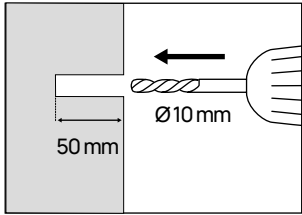
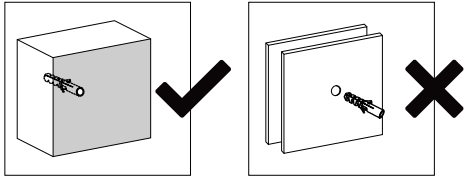
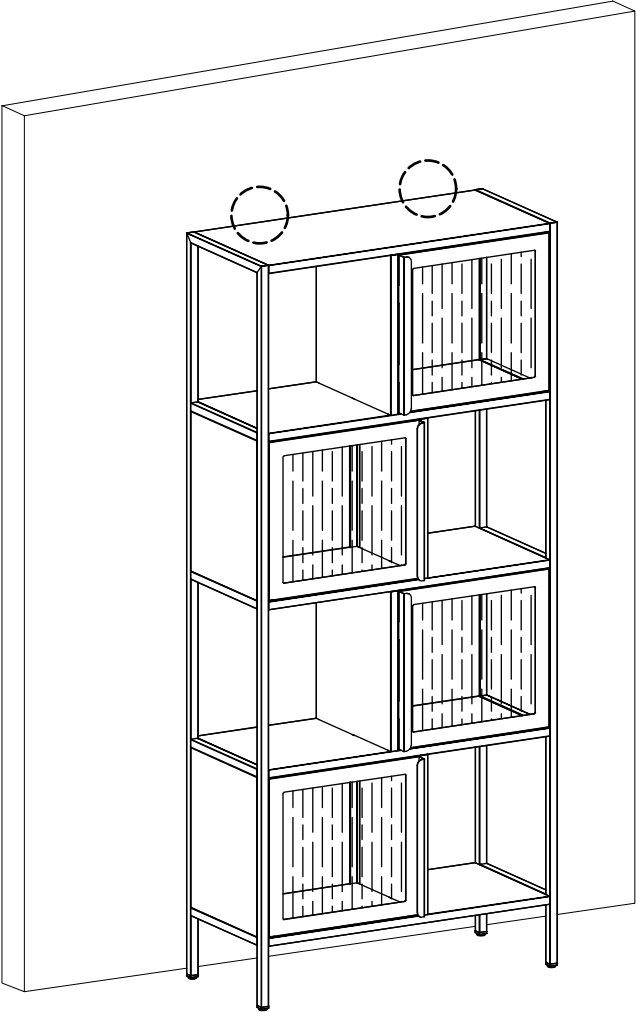


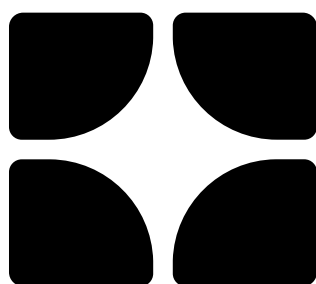
# 14.



# 15.

	
7	8





Montez, installez, détendez-vous !

**SICAAN.**