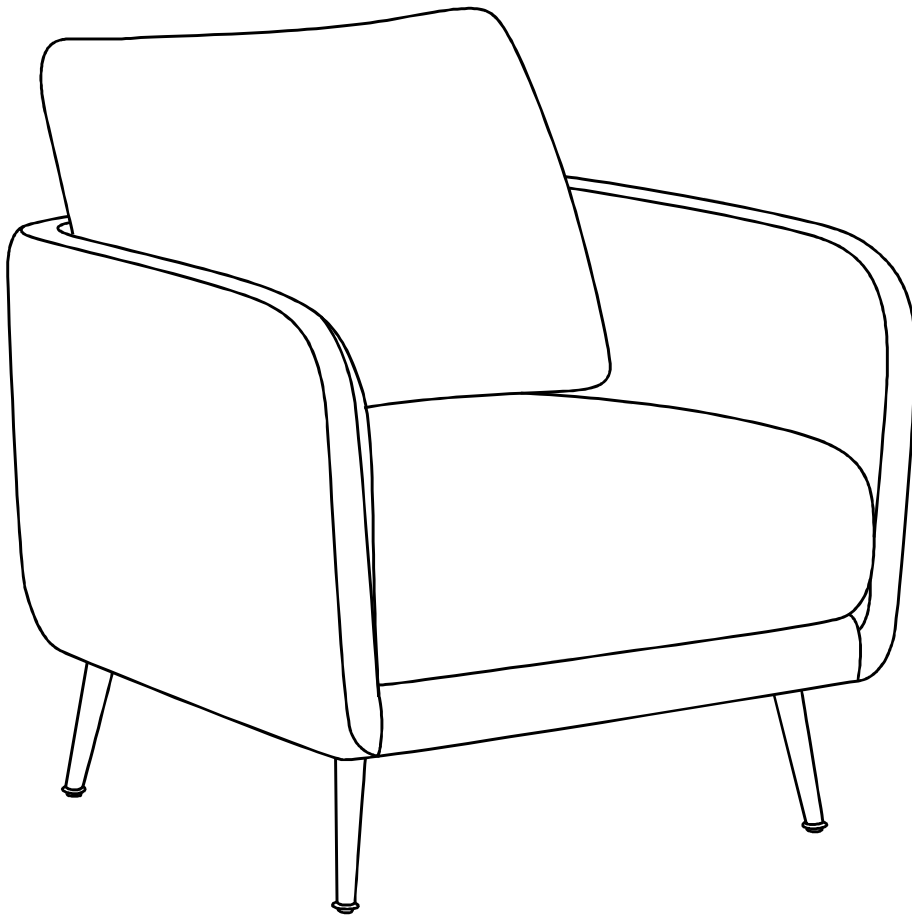


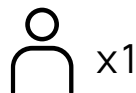
# Sicaan.

---

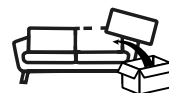
## EMMA



15 min



x1

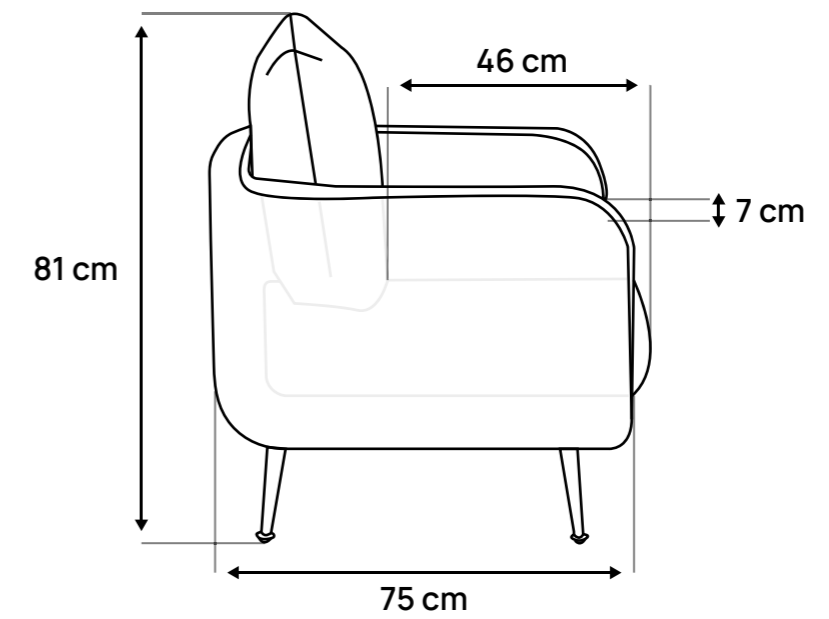
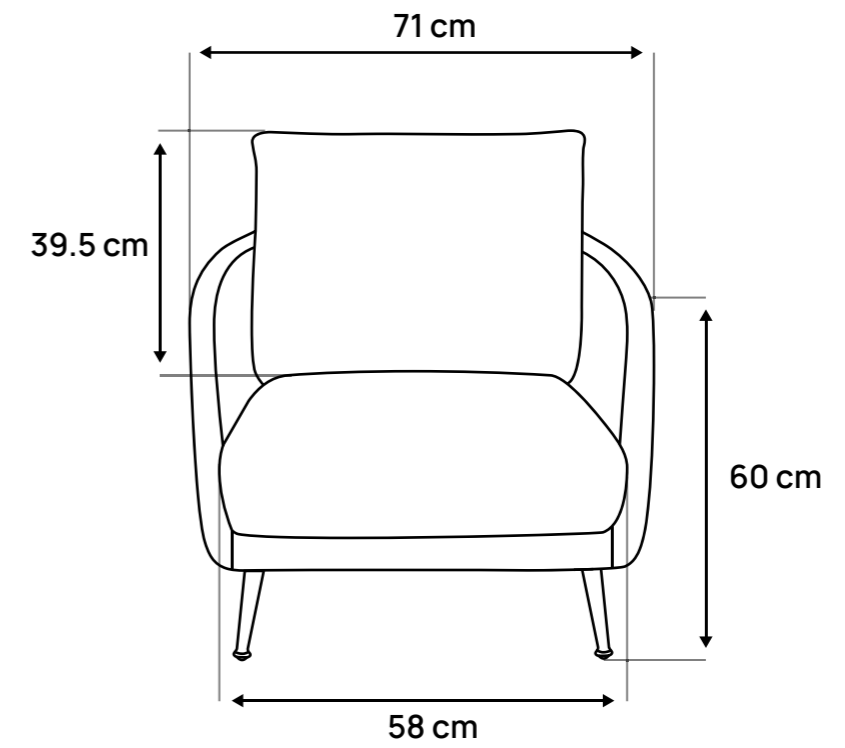
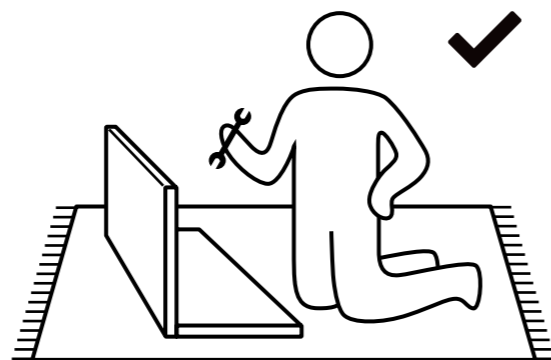
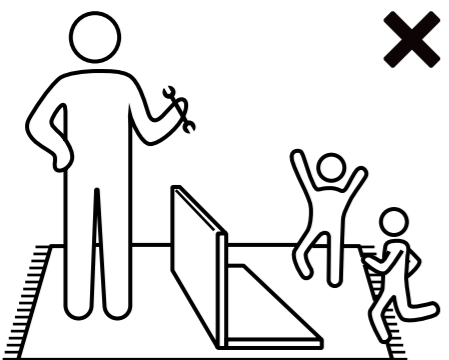
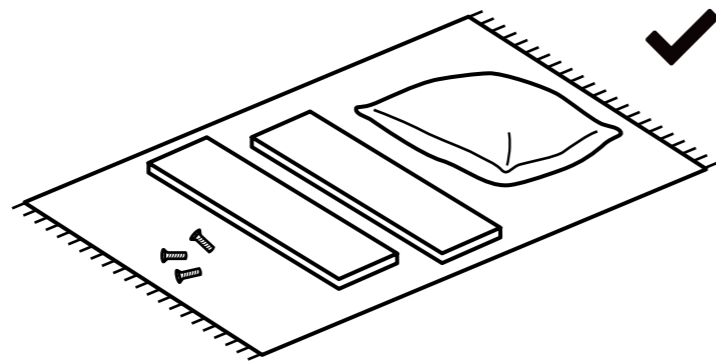
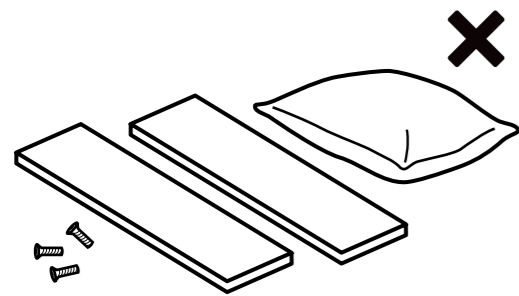
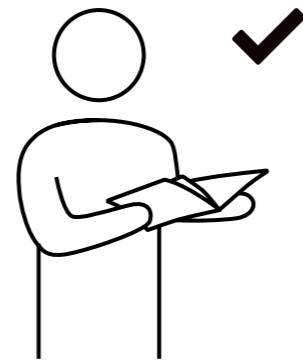
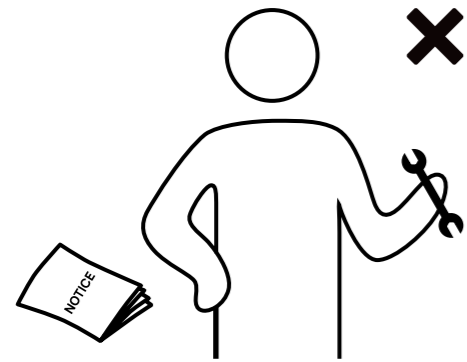


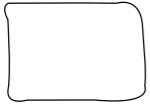
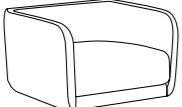
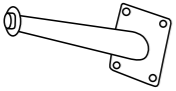
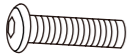
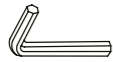
CE

---

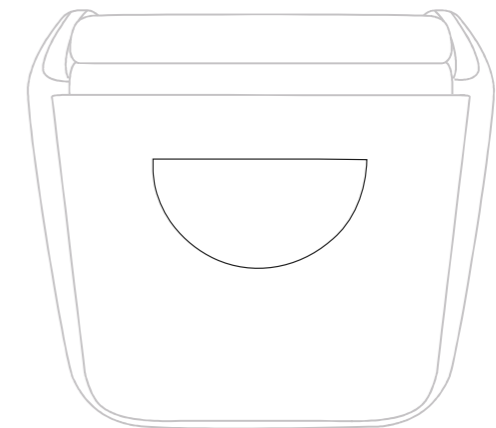
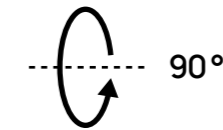
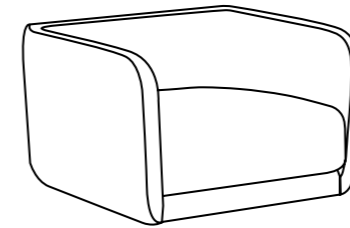
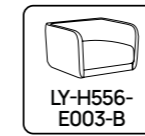
STI-000293 [x1]

07/2024

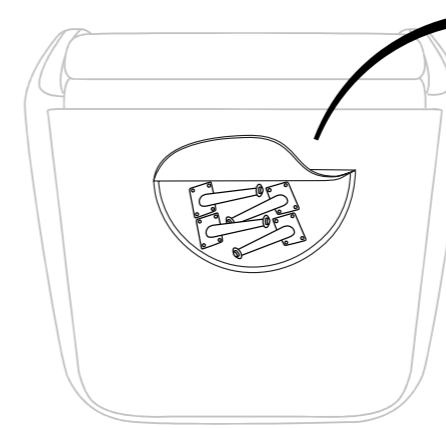
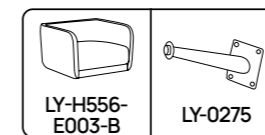


PCS	REF	QTY	DIM
	LY-H556-E003-A	x1	560 x 450 x 180 mm
	LY-H556-E003-B	x1	710 x 750 x 420 mm
	LY-0275	x4	H=17 cm
	LY-0030	x16	M6 x 20 mm
	LY-0067	x1	M4 x 21 x 57 mm

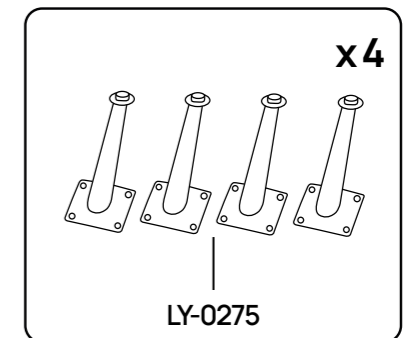
1.



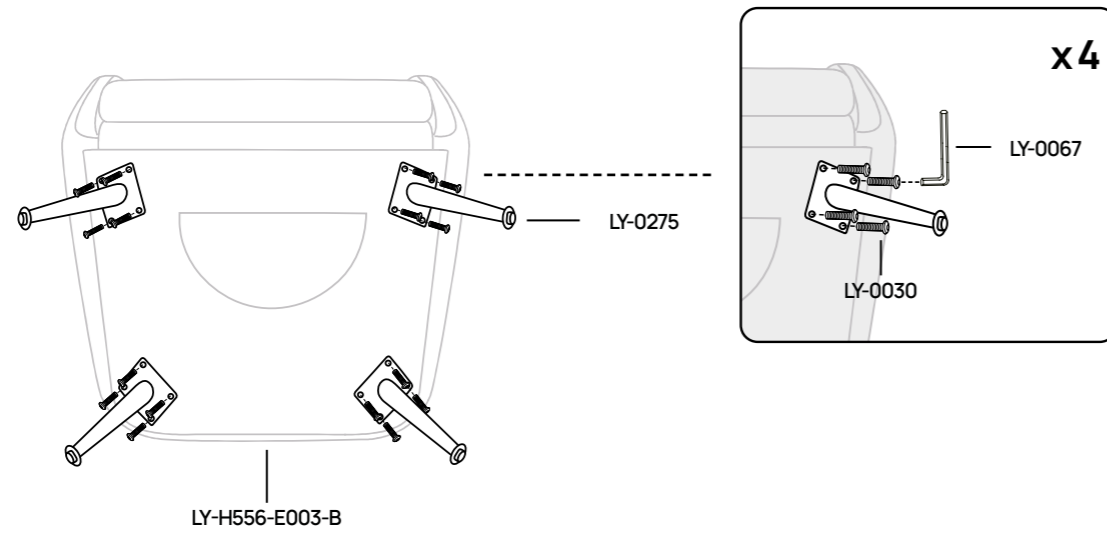
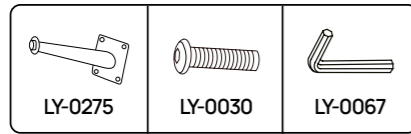
2.



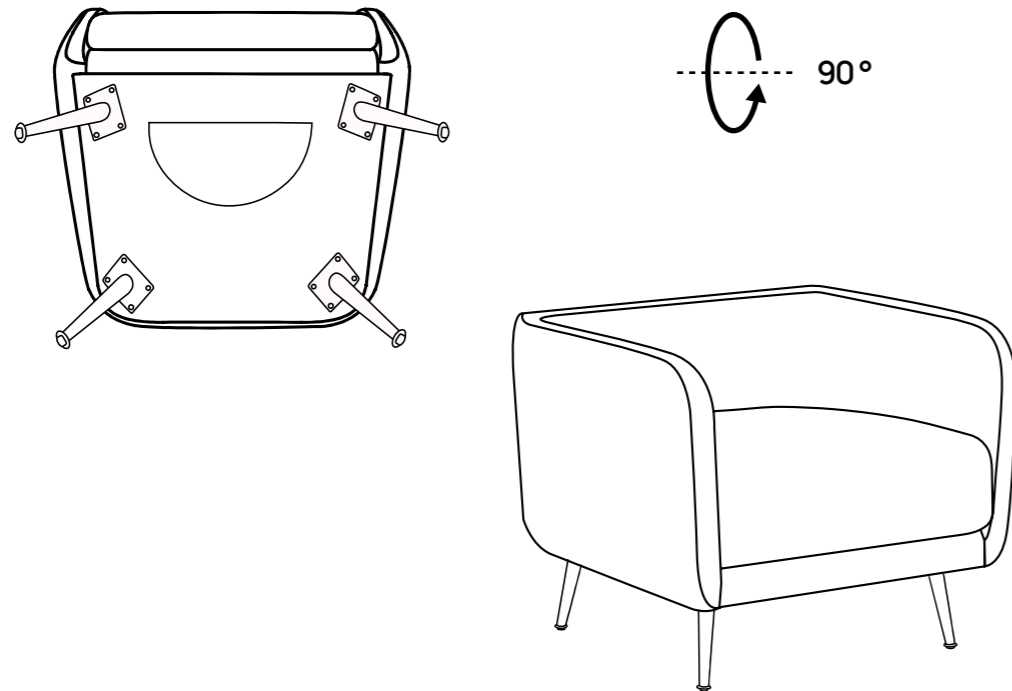
LY-H556-E003-B



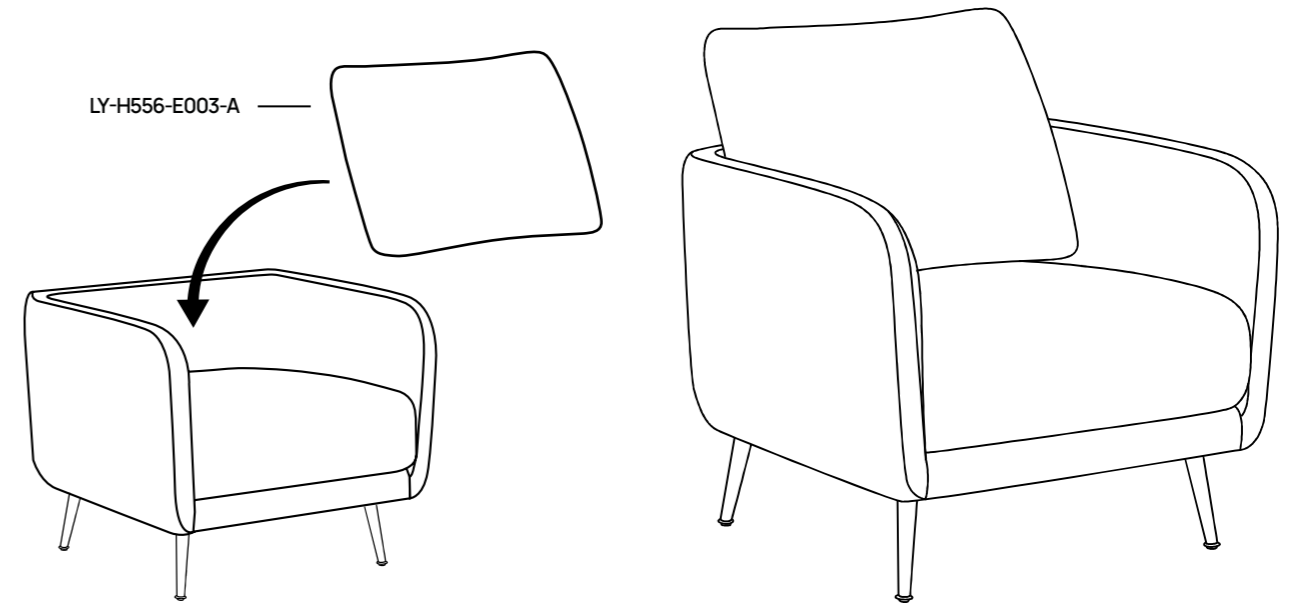
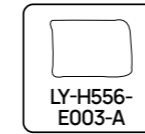
3.

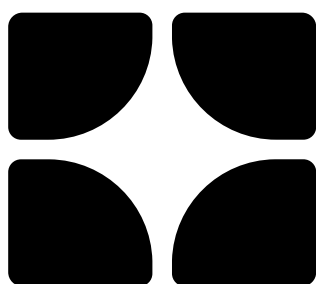


4.



5.





Montez, installez, détendez-vous !

**SICAan.**