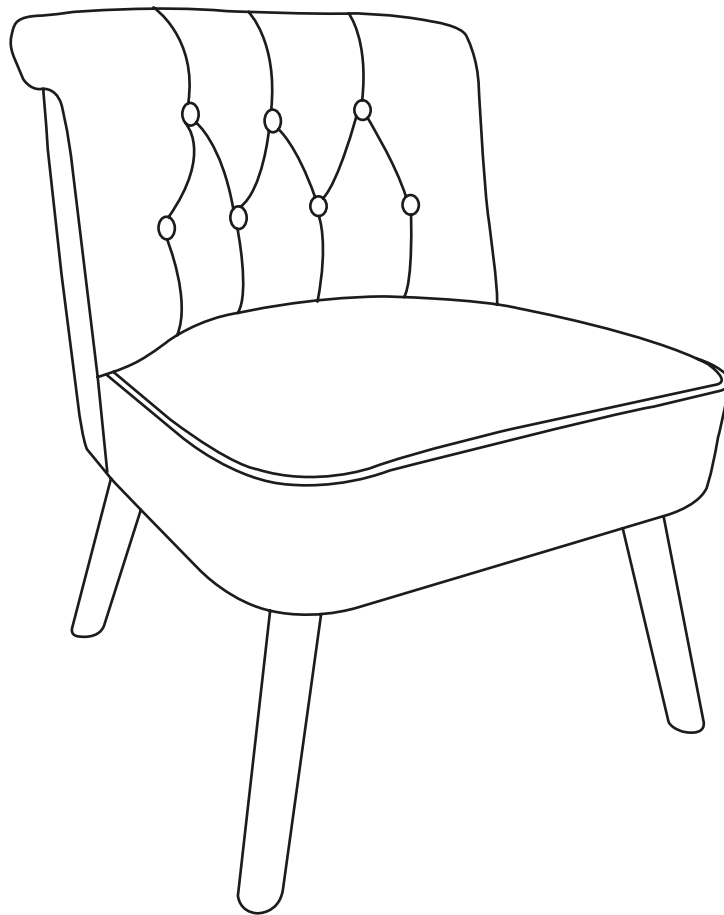


# Siccan.

---

## JACQUES



15 min



x1

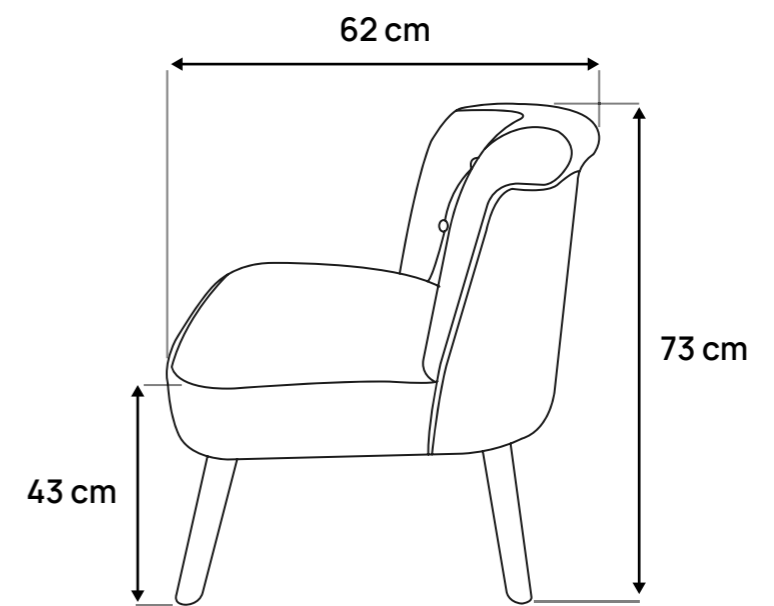
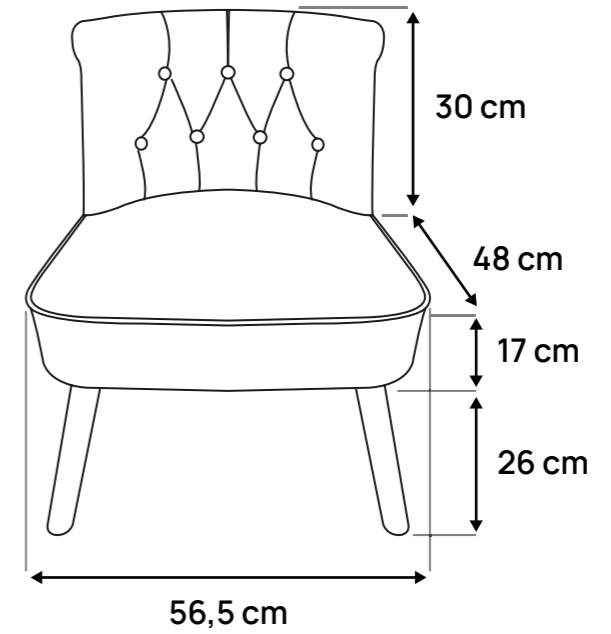
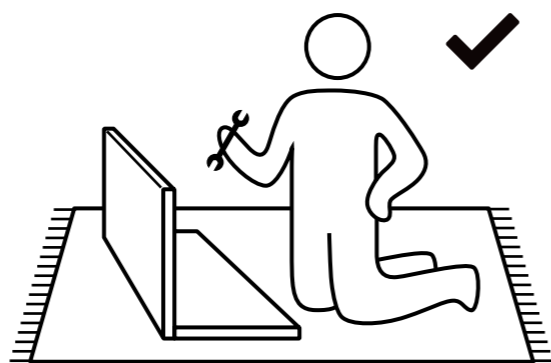
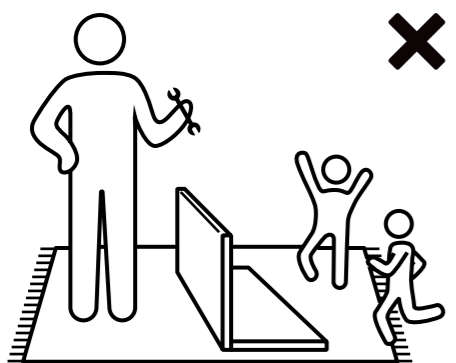
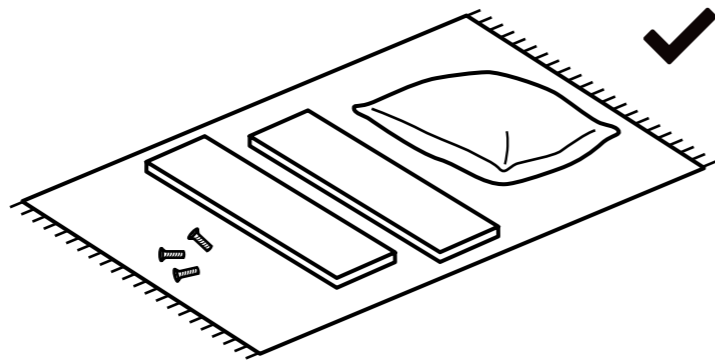
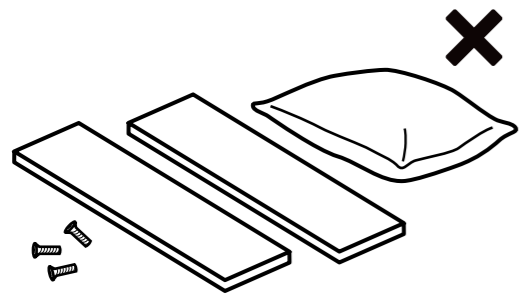
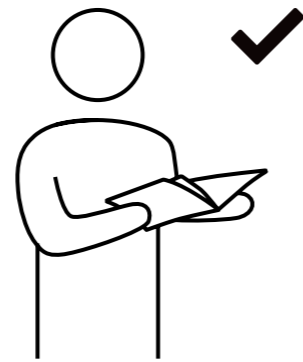
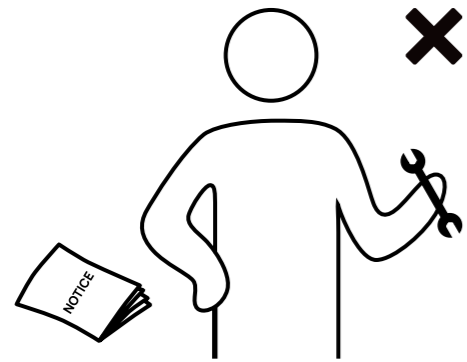



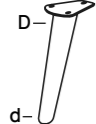


CE

---

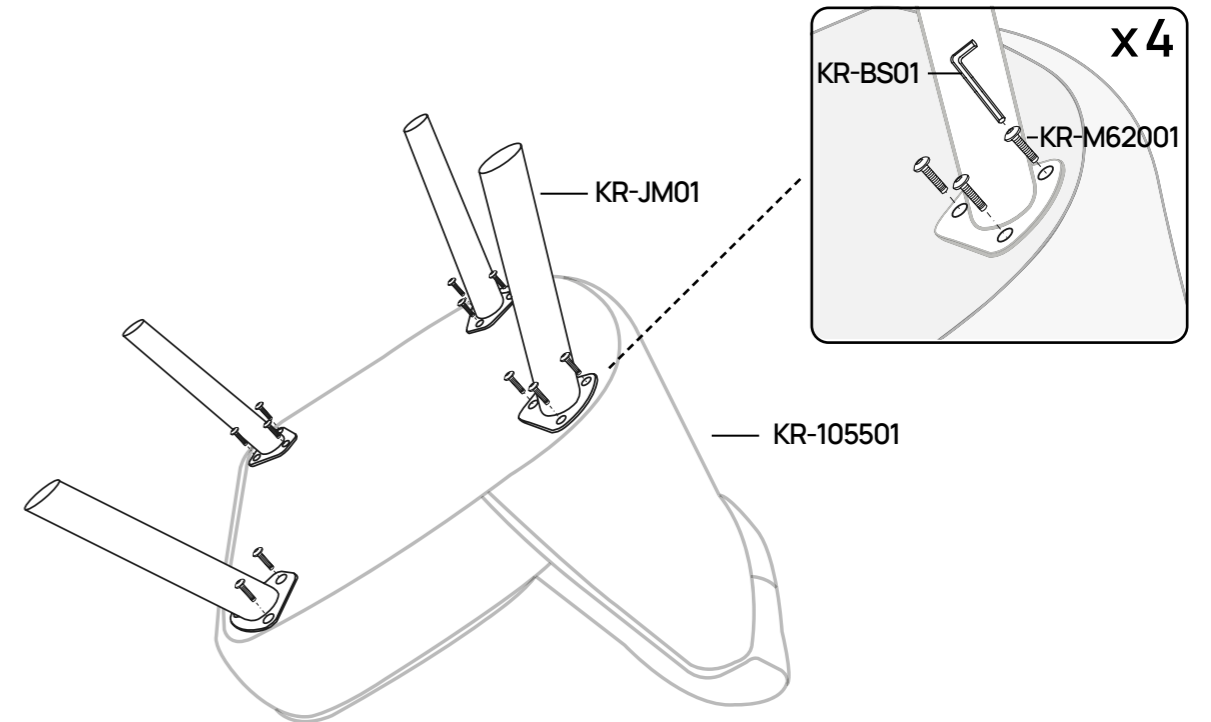
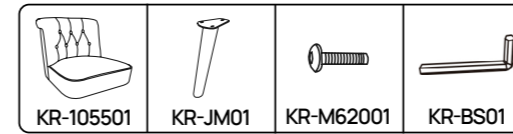
STI-000305 [x1]

07/2024

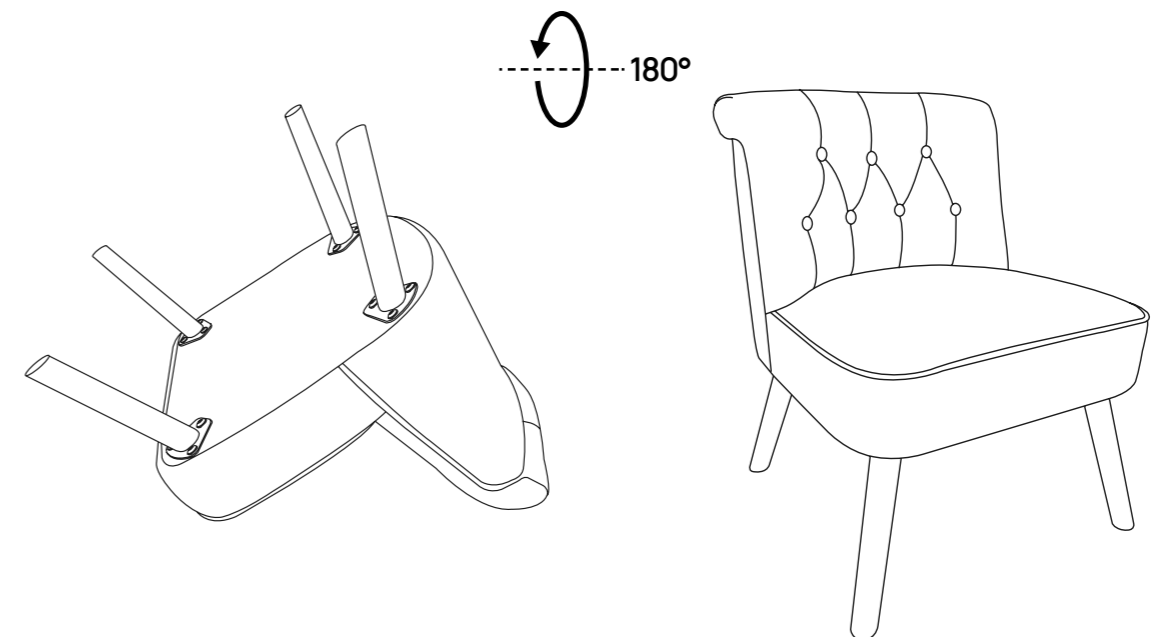


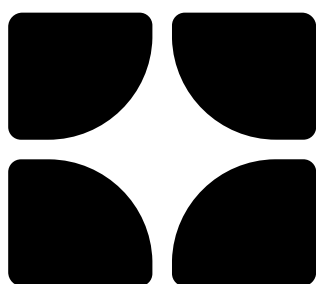
PCS	REF	QTY	DIM
	KR-105501	x1	56.5x62x47 cm
	KR-JM01	x4	$\varnothing = d = 3.8 \text{ cm}$ $D = 4.5 \text{ cm}$
	KR-M62001	x12	M6 x 20 mm
	KR-BS01	x1	M6

1.



2.





Montez, installez, détendez-vous !

**SICAan.**