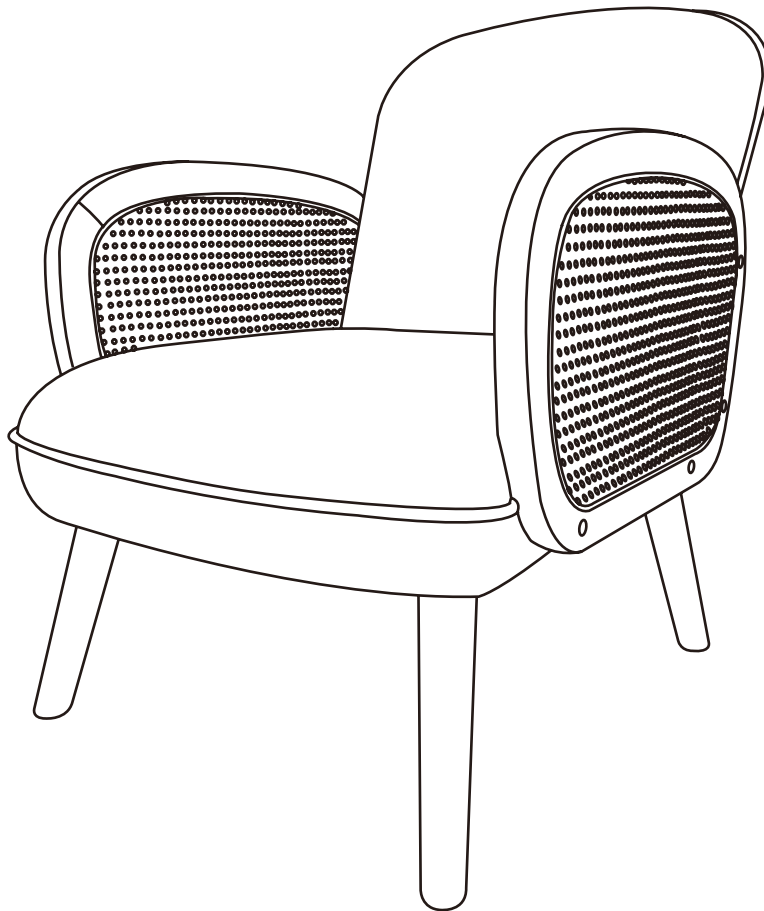
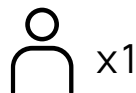


Sicdan.

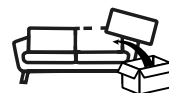
ROSI



15 min



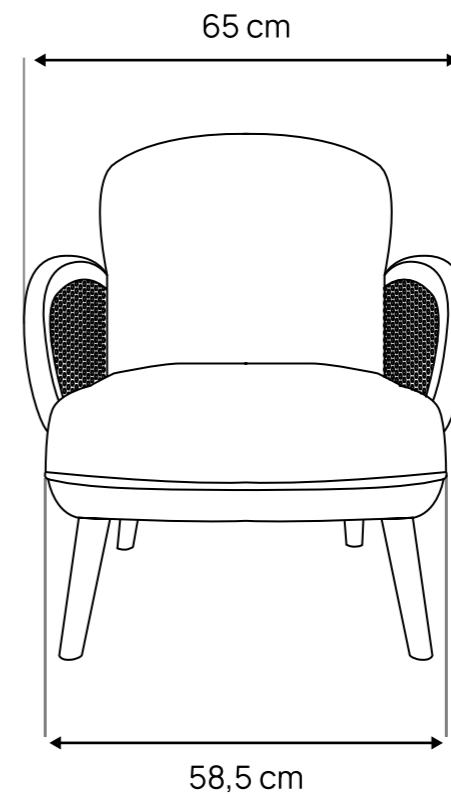
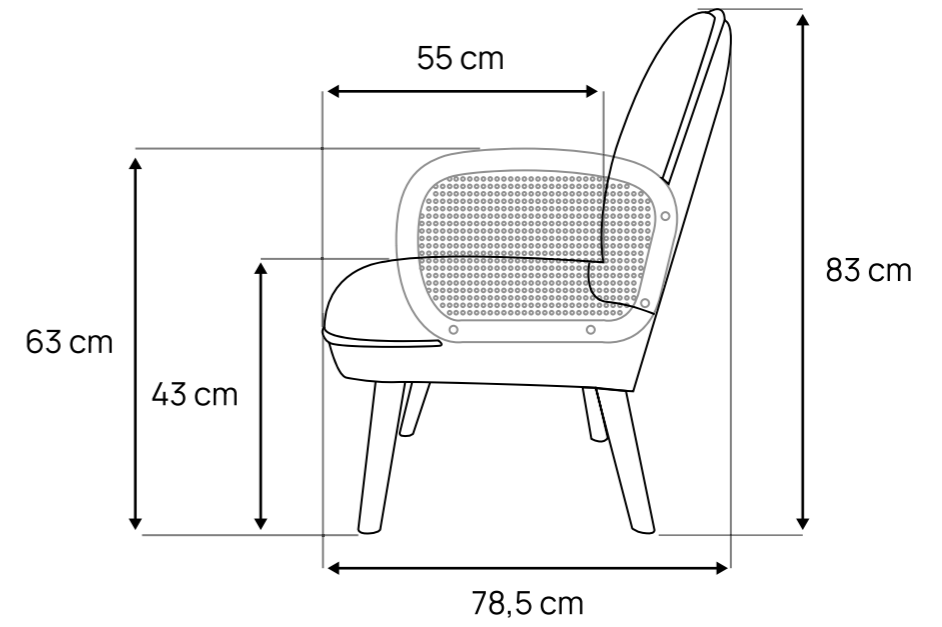
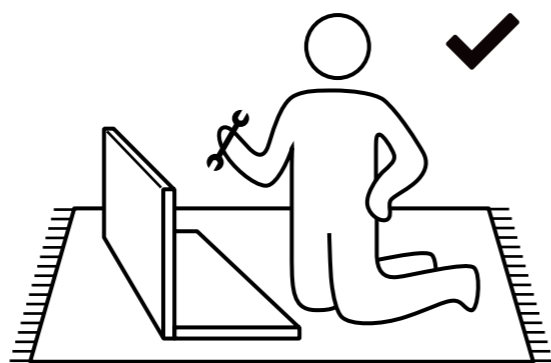
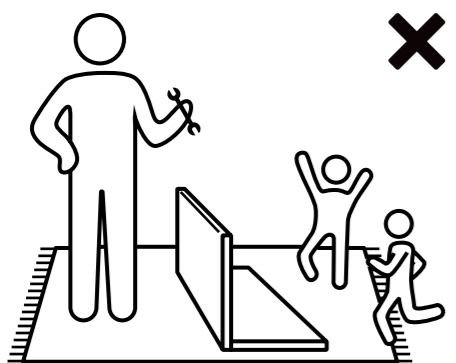
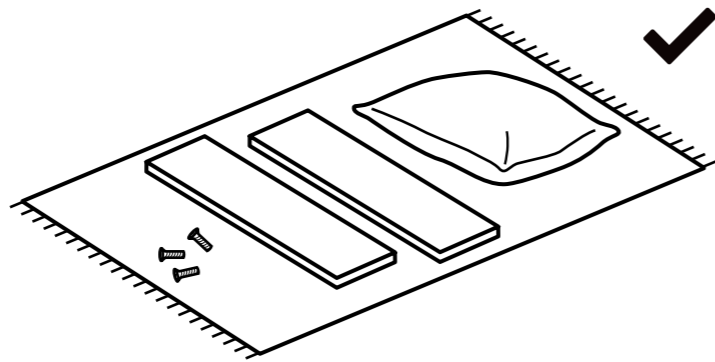
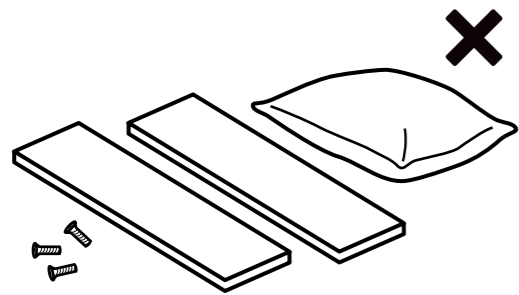
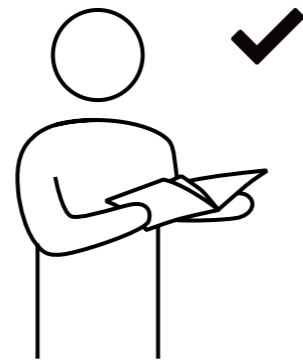
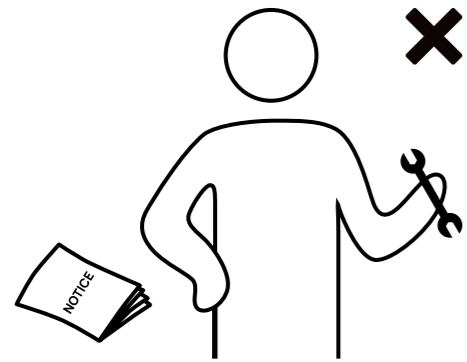
x1


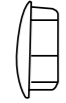


CE

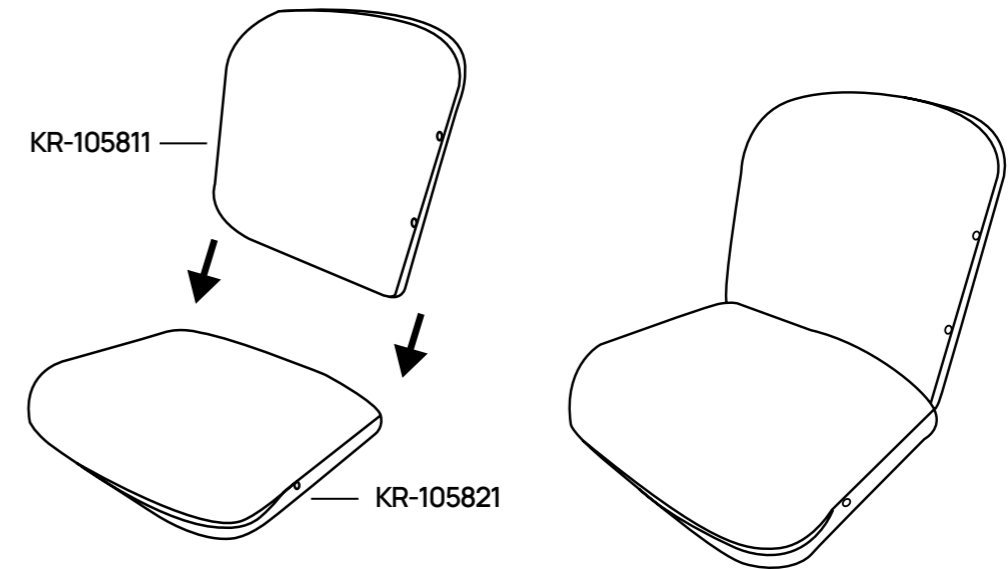
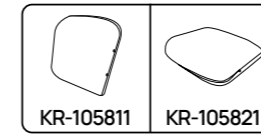
STI-000323 [x1]

07/2024

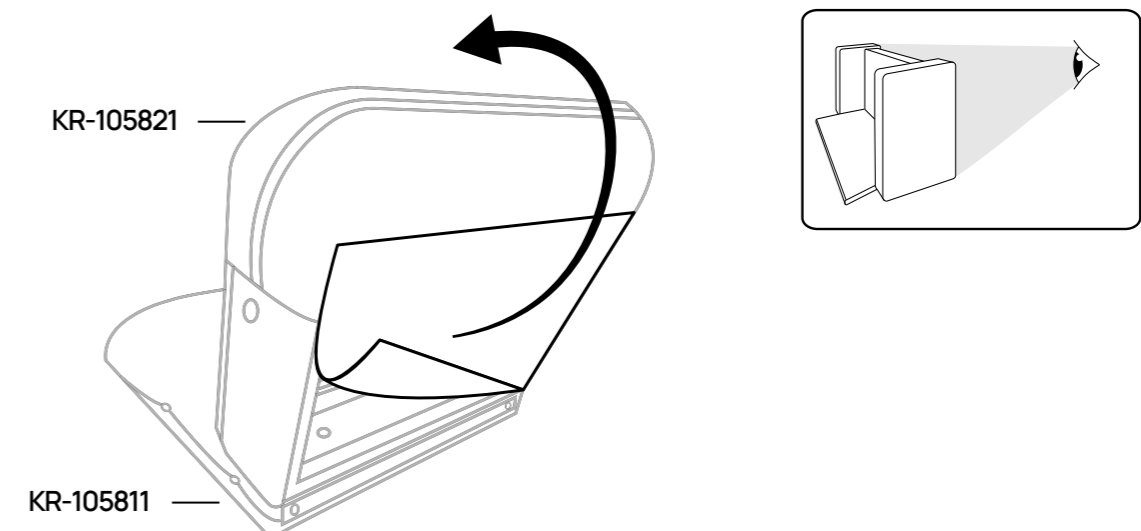
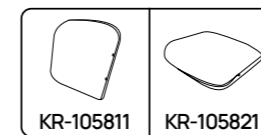


PCS	REF	QTY	DIM
	KR-105811	x1	58.5x68x15 cm
	KR-105821	x1	58.5x68x15 cm
	KR-FS03L	x1	55x38x3 cm
	KR-FS03R	x1	55x38x3 cm
	KR-JM02	x4	$\varnothing = \begin{matrix} d = 3.5 \text{ cm} \\ D = 5 \text{ cm} \end{matrix}$
	KR-DP01	x6	$\varnothing = 45 \text{ mm}$
	KR-M84502	x10	M8 x 45 mm
	KR-DQ02	x2	M8 x 22 mm
	KR-MG02	x8	$\varnothing = 15 \text{ mm}$
	KR-BS02	x1	M6

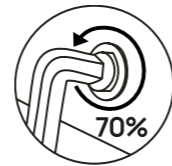
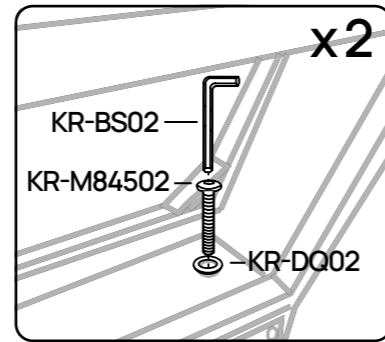
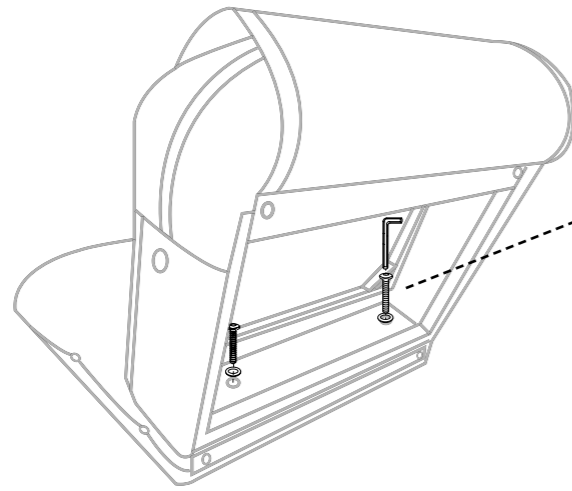
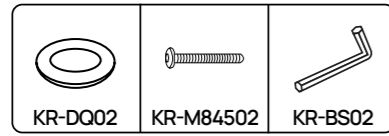
1.



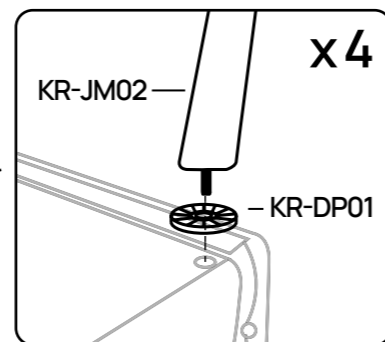
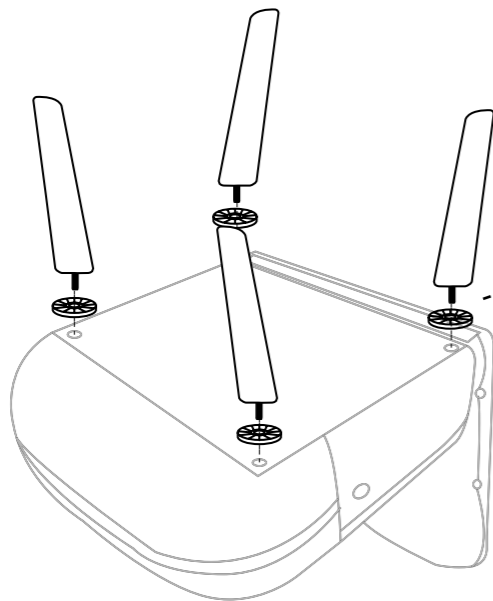
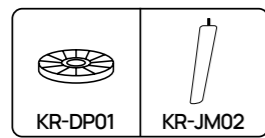
2.



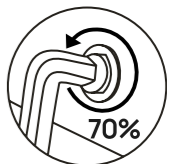
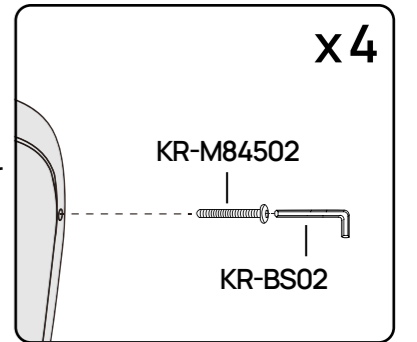
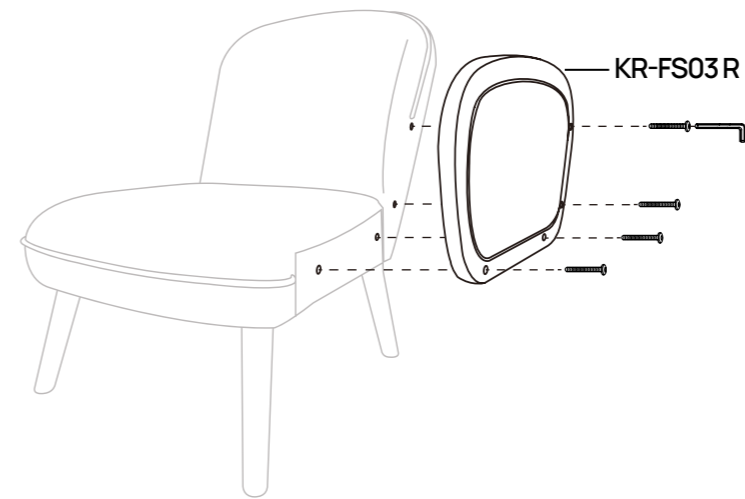
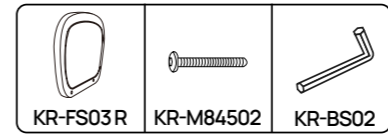
3.



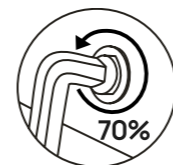
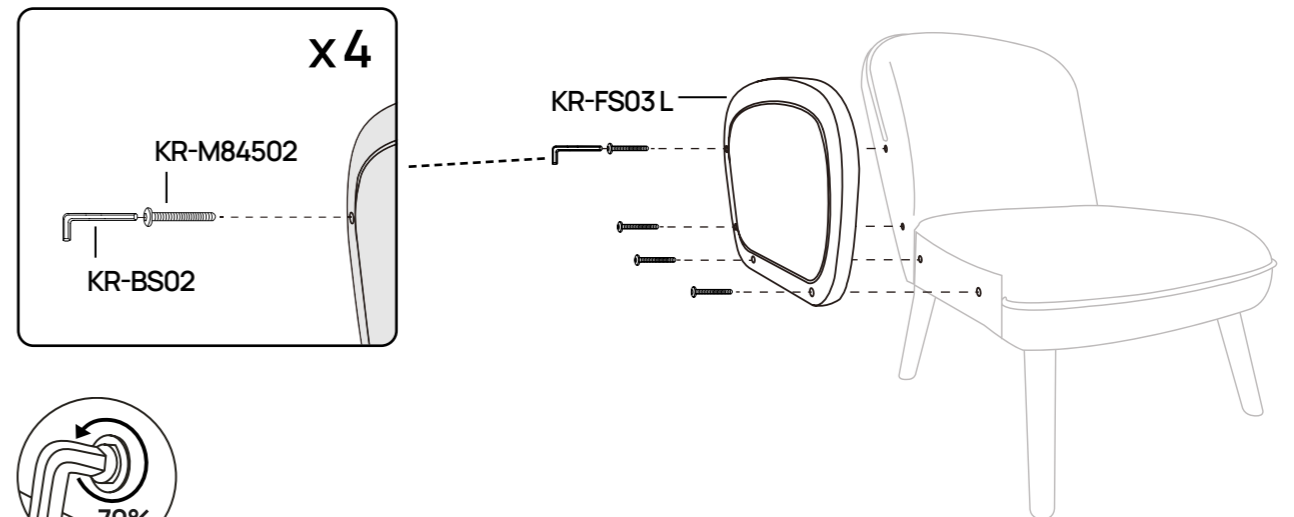
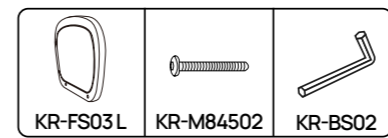
4.

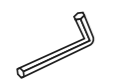



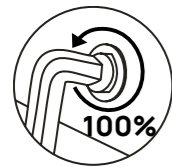
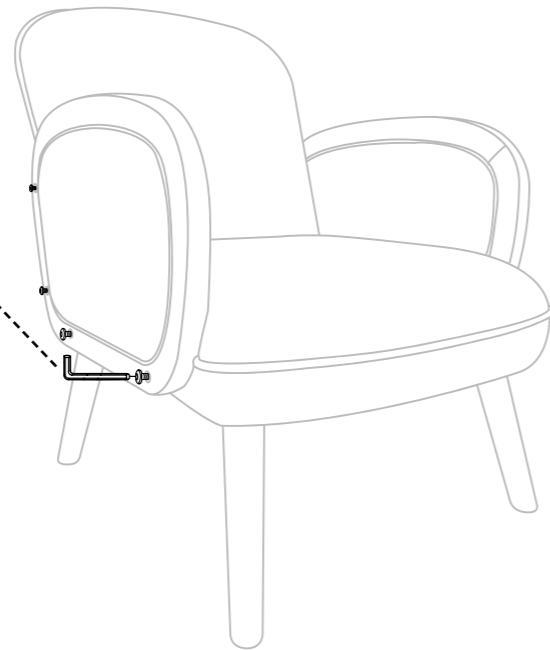
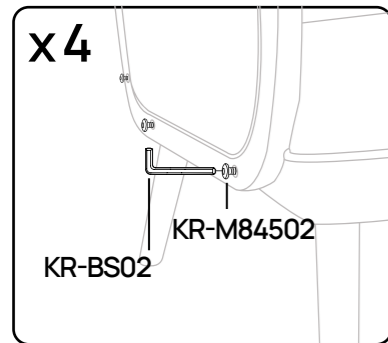
5.

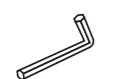



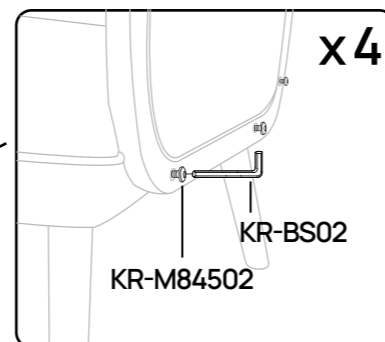
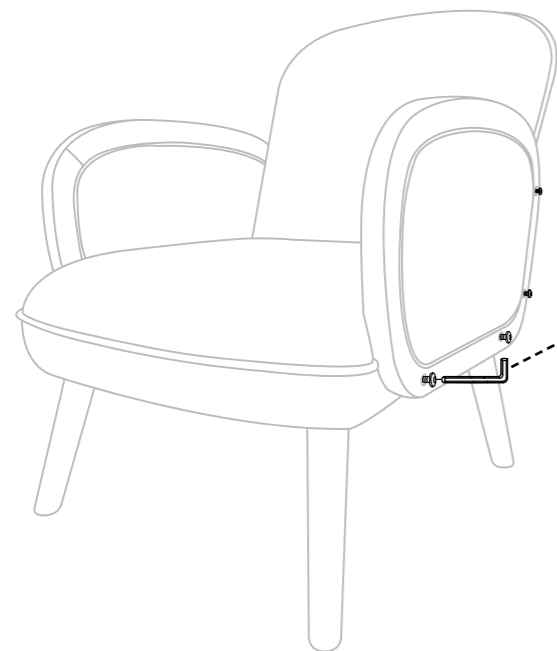
6.



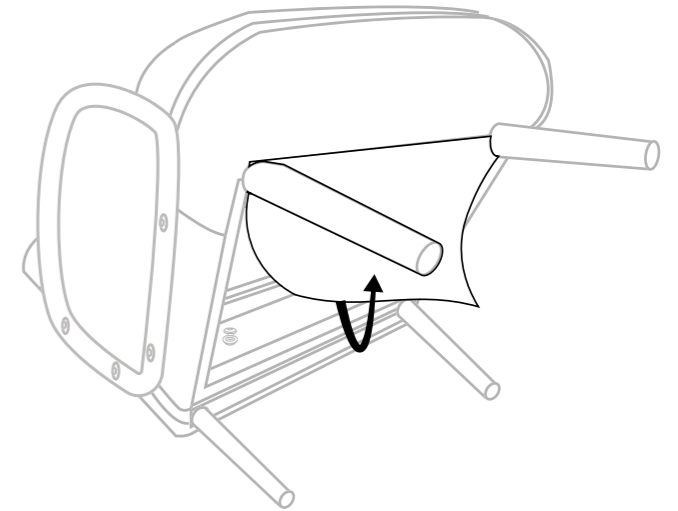
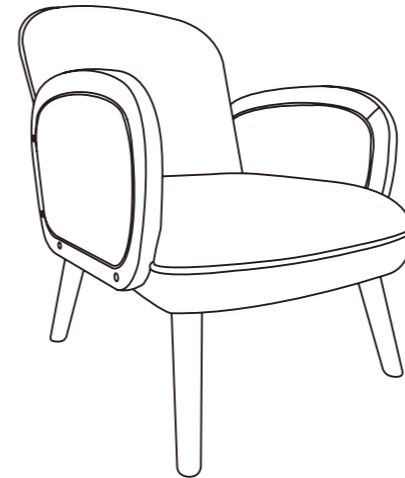
7.  
KR-BS02 KR-M84502

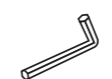



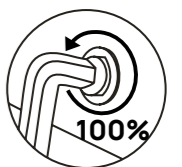
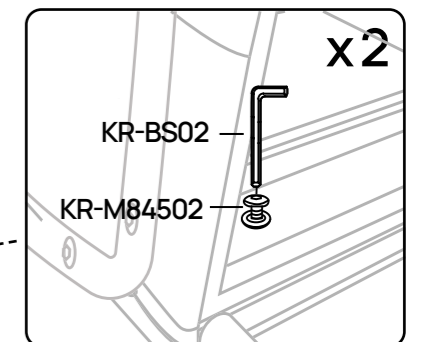
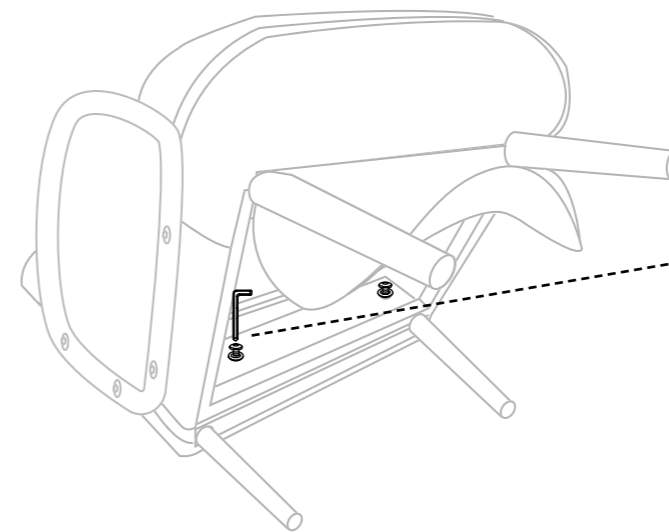
8.  
KR-BS02 KR-M84502



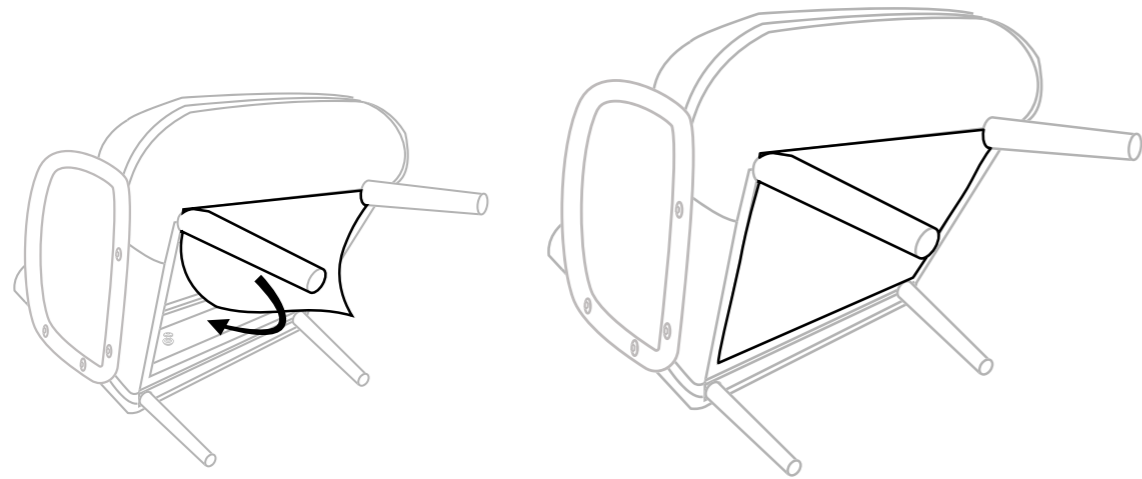
9. 



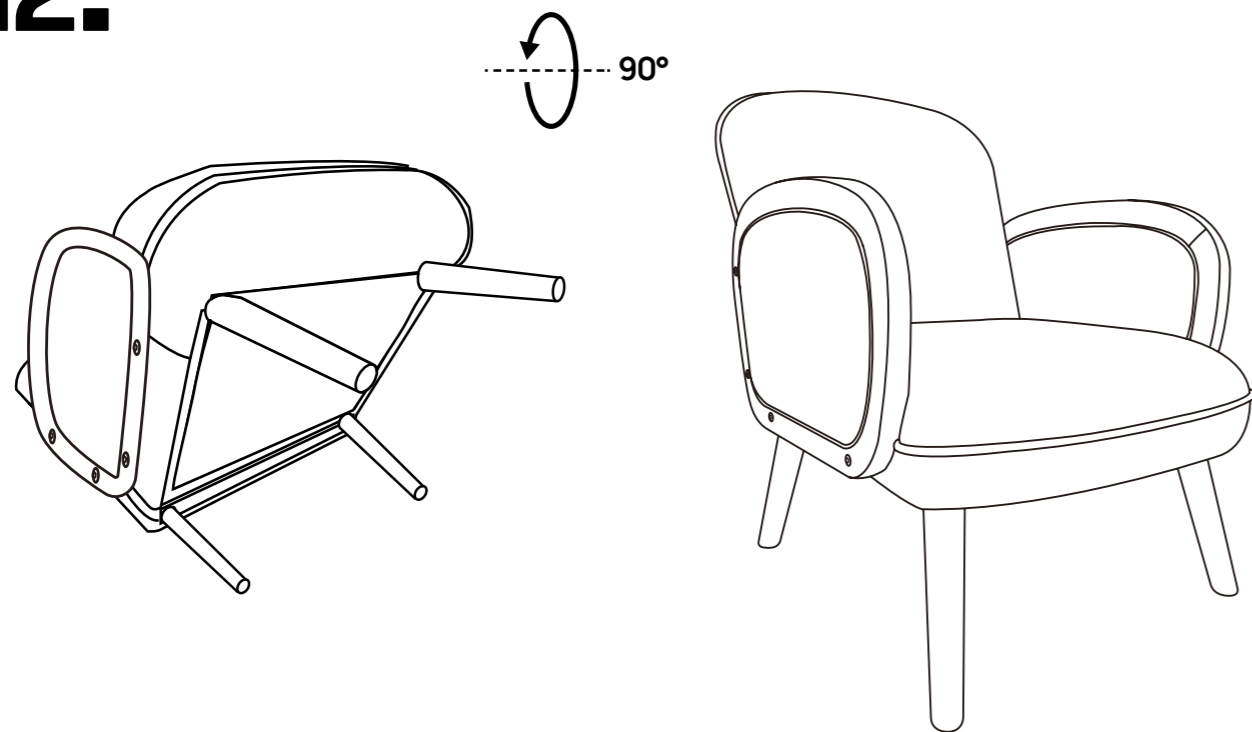
10.  
KR-BS02 KR-M84502



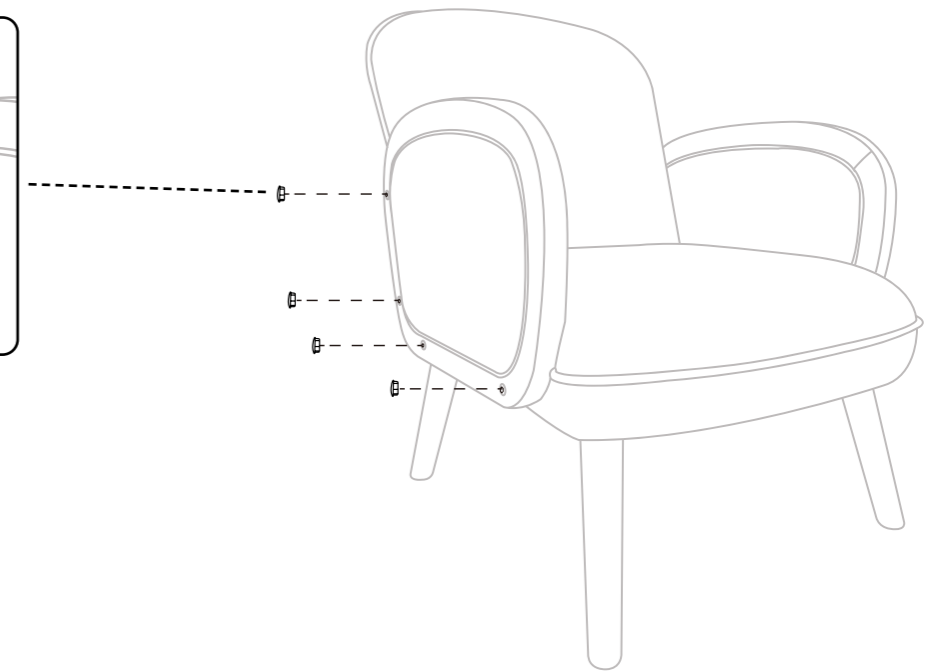
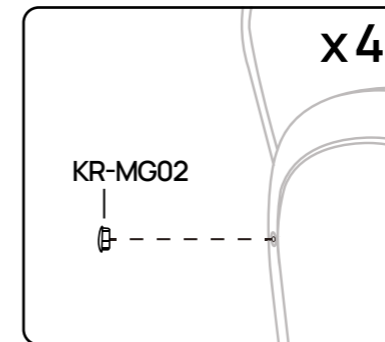
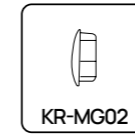
11.



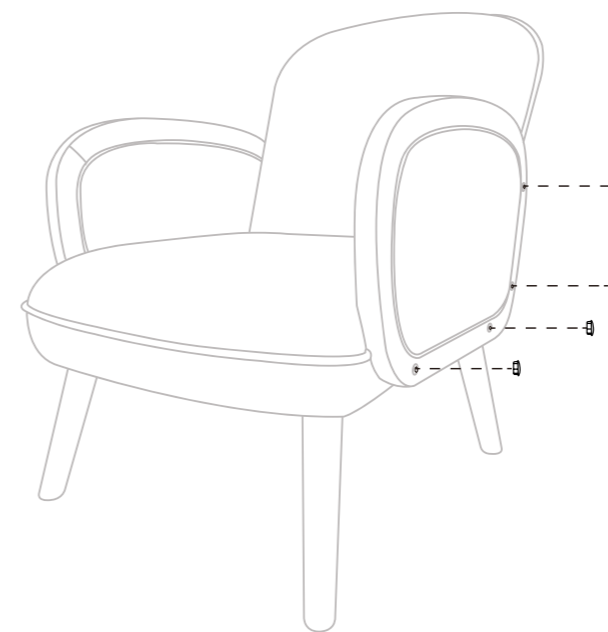
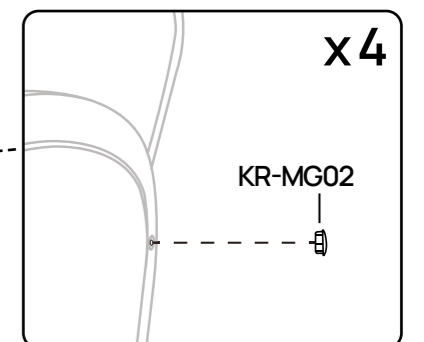
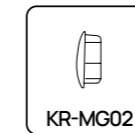
12.

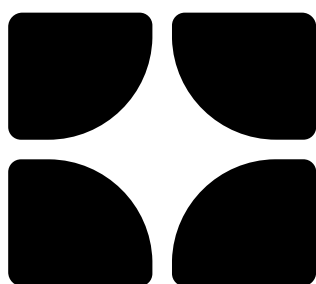


13.



14.





Montez, installez, détendez-vous !

SICAan.